

**Please read these instructions carefully and store in a safe place for future reference.**

### HALO

As part of the P+L brand of insect control products, **Halo** is a versatile commercial flykiller which utilises highly effective UV tubes and is designed for use with a high specification glupac™ glueboard. **Halo** is available as a slimline 30, 45 or 60W model which can be wall, desk or horizontal ceiling mounted, or a 2x30W double sided ceiling suspended unit.

### CONTENTS OF PACKAGE

- 1 x Halo flykiller
- 1(2\*) x glupac™ pheromone impregnated glueboard(s)
- 1 x Mounting instructions sheet
- 1 x Mains cable
- 1(2\*) x Removable aluminium debris tray(s)
- 2/3/4 x High powered UV tubes (Fitted)
- 4 x Screws and wall plugs (Halo 30 / 45 & 60)
- 1 x Flyshield for ceiling mounting (Halo 30 / 45 & 60)
- 4 x Flyshield fixing stand-offs & nuts (Halo 30 / 45 & 60)
- 2 x Table mount feet (Halo 30 / 45 & 60)
- 2 x Suspension keyrings\*

\* Halo 2x30 only

**WARNING - THIS APPLIANCE MUST BE EARTHED**

### INSECT CONTROL PRODUCTS

**Halo** utilises high powered ultra violet tubes to attract flying insects and retains the caught insects on a pheromone impregnated glueboard for inspection or hygienic disposal.

### POSITIONING

THIS UNIT IS FOR INDOOR USE ONLY.

**Halo** should ideally be fixed around two meters above the ground, preferably in the darkest place within the area to be protected. Do not position the unit close to windows, skylights or other sources of light, or where it may be obscured by furniture, doors or other obstacles. Ideally, **Halo** should be visible from every part of the area to be protected.

### USING HALO

**Halo** should ideally be in operation for 24 hours a day, ensuring your premises are kept free of flying insects. Insects are most attracted to **Halo** at night when there is no competition from daylight or other light sources.

### GUARANTEE

**Halo** has a three year guarantee and if maintained as recommended in these instructions should continue to work for many years.\* Use of non-approved consumables may invalidate the guarantee. Ensure genuine glupac™ glueboards are used in conjunction with this product.

\*Excludes tubes, glueboards and starters. Does not cover breakdown due to misuse, incorrect operation or use in an incorrect application.

### CLEANING

ENSURE THAT THE FLYING INSECT KILLER IS DISCONNECTED FROM THE MAINS BEFORE CLEANING

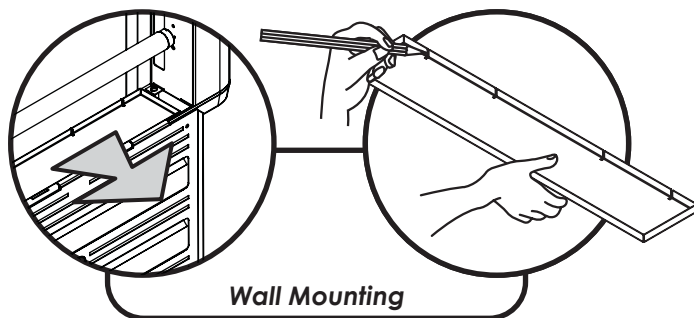
It is recommended that cleaning is carried out regularly when the glueboard is replaced. Once the glueboard is removed, the unit should be thoroughly wiped down with a damp cloth, removing any build up of dirt. Ensure the unit is completely dry before reconnecting it to the power supply.

### INSTALLATION

PRIOR TO INSTALLATION, ENSURE THE POWER SUPPLY OF YOUR MAINS OUTLET CORRESPONDS TO THAT MARKED ON THE SPECIFICATION LABEL FOUND ON THE FLYKILLER.

**Halo** 30, 45 & 60 can be mounted in five different ways as described below. For wall mounting, use the supplied wall mounting plugs and screws, making sure correct wall plugs are used for specialist mounting materials, such as plasterboard. **Halo** 2x30 should be ceiling suspended using chains of appropriate strength. (Not supplied)

**Wall Mounting - Halo** can be wall mounted horizontally or vertically. For horizontal mounting, use the two inside cut outs on the debris tray to mark the correct wall mounting points.



For vertical wall and corner mounting, first select the correct fixing holes as outlined in the 'Mounting Instructions Sheet.' Then drill fixing holes into the mounting surface and use the supplied fixing screws and wall plugs to secure the unit in position.

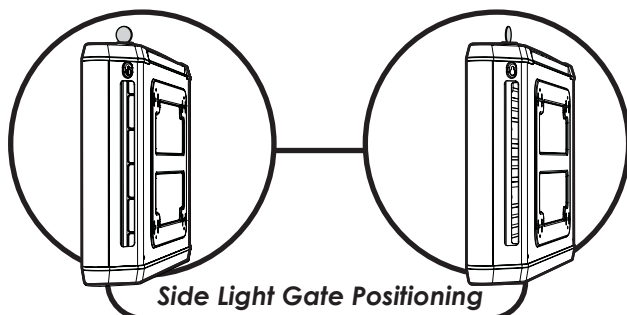
**Ceiling Suspension - Halo** can be mounted horizontally on the ceiling by offering the unit to the ceiling, marking the four fixing points, drilling four ceiling suspension holes and using the enclosed fixing screws and wall plugs to secure the unit in position. The optional flyshield can then be attached to the front guard to act as a debris tray.

**Desk mounting - Halo** can be installed onto a horizontal surface by using the two supplied aluminium feet.

Once **Halo** is installed in position, fit the glupac™ glueboard in place as described in the glueboard replacement section of this document. Use the removable mains lead and plug to connect the **Halo** to an appropriate power supply.

### SIDE LIGHT GATES

**Halo** 30, 45 & 60 includes moveable side light gates, which can either be left open to allow maximum light output and accessibility for insects or closed to protect the mounting surface from direct UV light. Over time, UV light can discolour the mounting surface.



## GLUEBOARD REPLACEMENT

BEFORE REPLACING THE GLUEBOARD, ALWAYS ENSURE THAT THE UNIT IS DISCONNECTED FROM THE MAINS SUPPLY.

The glueboard should be replaced every month with a genuine glupac™ glueboard. Use of non-approved glueboards may invalidate your guarantee. **Halo** comes supplied with discreet black glueboards with printed grids for simple insect evaluation and monitoring. High efficacy replacement yellow glueboards are available.

To replace the glueboard...

1. Remove the used glupac™ glueboard by simply pulling clear of the unit.
2. Remove the protective release paper from the new glupac™ glueboard.
4. Slowly slide the new glupac™ glueboard into position with the adhesive side facing the tubes.

Always ensure the selected genuine glupac™ glueboards are compatible with your unit, available from your PCO or P+L Systems Ltd.

## TUBE REPLACEMENT

BEFORE REPLACING THE TUBES, ALWAYS ENSURE THAT THE UNIT IS DISCONNECTED FROM THE MAINS SUPPLY.

To ensure the efficiency of **Halo** in catching flying insects, the UV tubes should be replaced annually. After twelve months the phosphor coating that emits the correct wavelength of UV light has burnt away and the UV output is diminished substantially.

To replace the UV tubes...

1. Open the swing down front guard.
2. Rotate the tube through 90°, freeing it from the tube holders.
2. Pull the tube away from the chassis.
3. Dispose of the used UV tube in conjunction with local WEEE regulations.

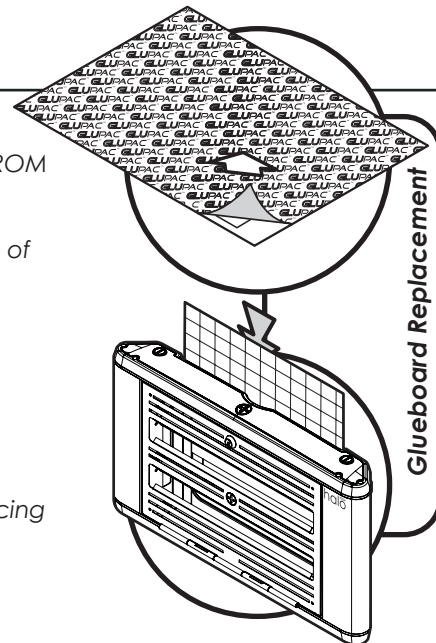
## STARTER REPLACEMENT

BEFORE REPLACING THE STARTERS, ALWAYS ENSURE THAT THE UNIT IS DISCONNECTED FROM THE MAINS SUPPLY.

The starters provide an extra spark to initially light the UV tube. Starters wear out and should be replaced at the same intervals as the UV tubes.

To replace the starters...

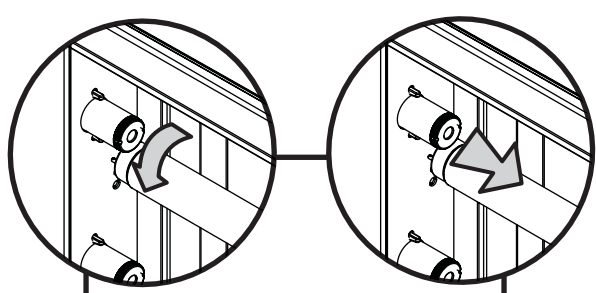
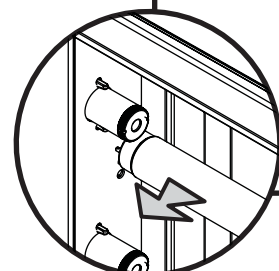
1. Rotate the starter anti-clockwise.
2. Pull the starter free from the unit.



Glueboard Replacement



Tube Replacement



Starter Replacement

### SPECIFICATION / REPLACEMENT PARTS

Unit	Halo 30	Unit	Halo 45	Unit	Halo 60	Unit	Halo 2x30
<b>Voltage</b>	230V ~ 50Hz	<b>Voltage</b>	230V ~ 50Hz	<b>Voltage</b>	230V ~ 50Hz	<b>Voltage</b>	230V ~ 50Hz
<b>Dimensions(mm)</b>	620 x 350 x 85	<b>Dimensions(mm)</b>	620 x 350 x 85	<b>Dimensions(mm)</b>	620 x 350 x 85	<b>Dimensions(mm)</b>	620 x 350 x 85
<b>Coverage</b>	80 Sq. Meters	<b>Coverage</b>	120 Sq. Meters	<b>Coverage</b>	160 Sq. Meters	<b>Coverage</b>	160 Sq. Meters
<b>Weight</b>	4.5 Kg	<b>Weight</b>	4.5 Kg	<b>Weight</b>	6 Kg	<b>Weight</b>	9 Kg
<b>Light Output</b>	30W	<b>Light Output</b>	45W	<b>Light Output</b>	60W	<b>Light Output</b>	60W
<b>Tubes</b>	2 x I616	<b>Tubes</b>	3 x I616	<b>Tubes</b>	4 x I616	<b>Tubes</b>	4 x I616
<b>Starter</b>	2 x I154	<b>Starter</b>	3 x I154	<b>Starter</b>	4 x I154	<b>Starter</b>	4 x I154
<b>Glueboards (x6)</b>	INF199 (Black) INF196 (Yellow)	<b>Glueboards (x6)</b>	INF199 (Black) INF196 (Yellow)	<b>Glueboards (x6)</b>	INF195 (Black) INF194 (Yellow)	<b>Glueboards (x6)</b>	INF199 (Black) INF196 (Yellow)

## MOUNTING INSTRUCTIONS

