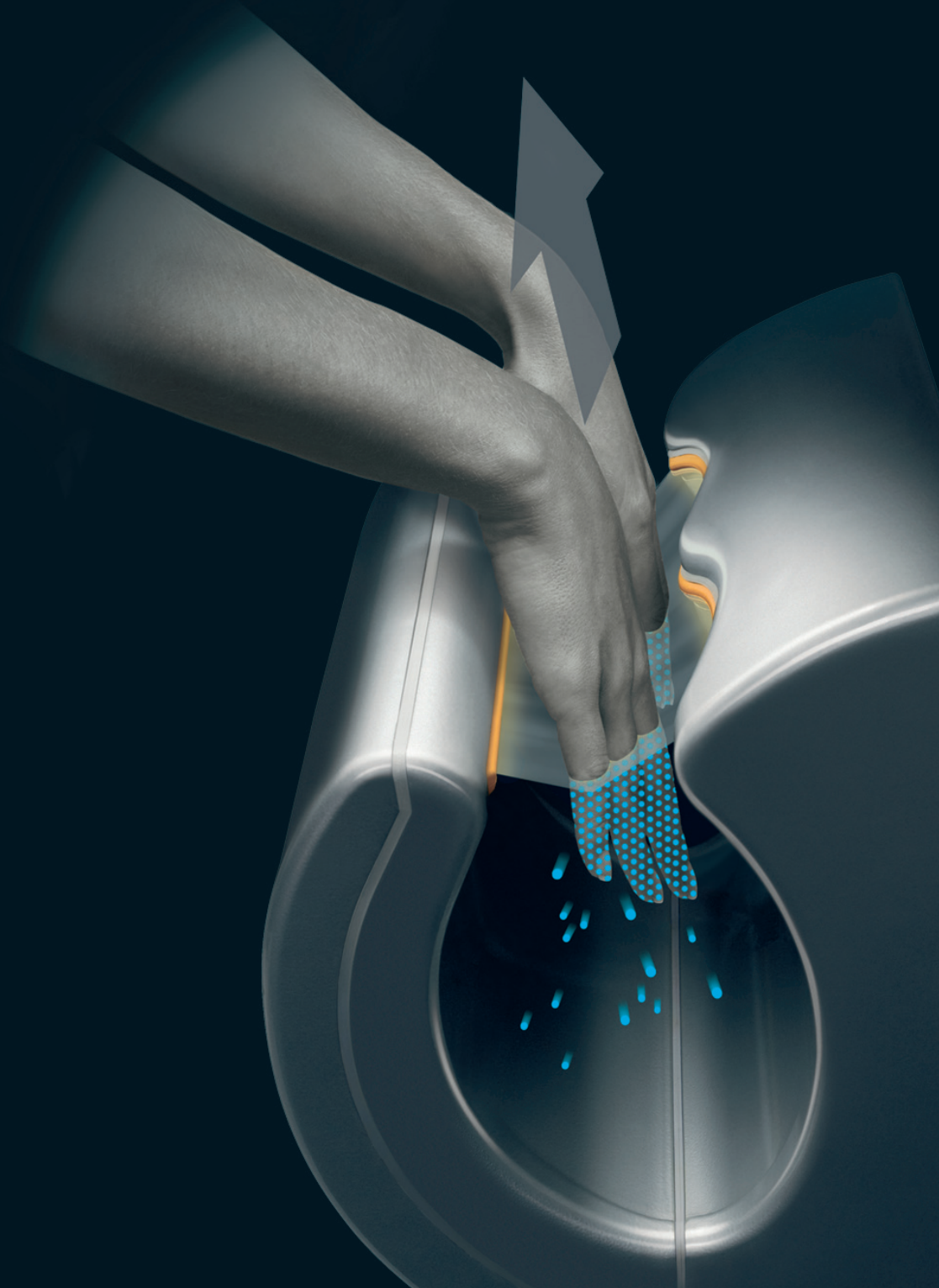


dyson airblade

The fastest, most hygienic hand dryer.



The problem with other hand dryers

They're too slow – some take as long as 38 seconds to dry hands.

It's because of their motors. Due to their design, they only blow enough airflow to remove just a little of the water from hands... while slowly evaporating the rest.

They can't filter the bacteria from the air before it reaches your hands either – that's unhygienic.

Did you know damp hands spread up to 1000 times more bacteria than dry hands.



The problem with paper towels

They're expensive to buy, re-stock and dispose of – and they generate landfill.

For the cost of just one paper towel, the Dyson Airblade™ hand dryer dries 19 pairs of hands.*

By changing to the Dyson Airblade™ hand dryer, you can make immediate savings and significantly reduce your organisation's carbon footprint, too.

After all, when was the last time you used just one paper towel?

To see how other businesses have reduced their carbon footprint, costs and paper waste, visit www.dysonairblade.com

* Calculations based on average paper towel cost of £0.0075 and on electricity charge of £0.09 per kWh.

Did you know London gets through around 64 million paper towels each day.

They generate landfill.

They can be expensive to keep re-stocking and disposing.

Re-stocking and disposal can be expensive and labour-intensive.



They can block toilets.

They take up valuable storage space.

They're wasteful and can leave a mess.

dyson airblade

The only hand dryer that literally scrapes water from hands

The Dyson Airblade™ hand dryer works in just 10 seconds – scraping water from hands like a windscreen wiper.

It's the fastest hand dryer – and it purifies the air before blowing it onto hands, so it's also hygienic.

And it uses up to 80% less energy than warm air hand dryers.

Did you know Dyson Airblade™ hand dryers are installed at the Eiffel Tower, London Eye and Eden Project.

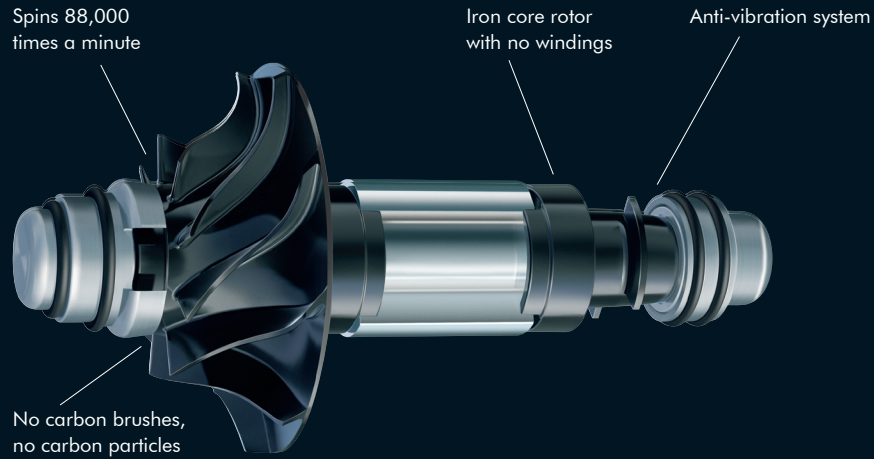
Fastest
Hands are dry in
just 10 seconds.

Less energy
Uses up to 80%
less than warm air
hand dryers.



Less cost
Less energy means
less running cost.

Clean air
A HEPA filter removes
over 99.9% of washroom
bacteria from the air
used to dry hands.



Dyson digital motor

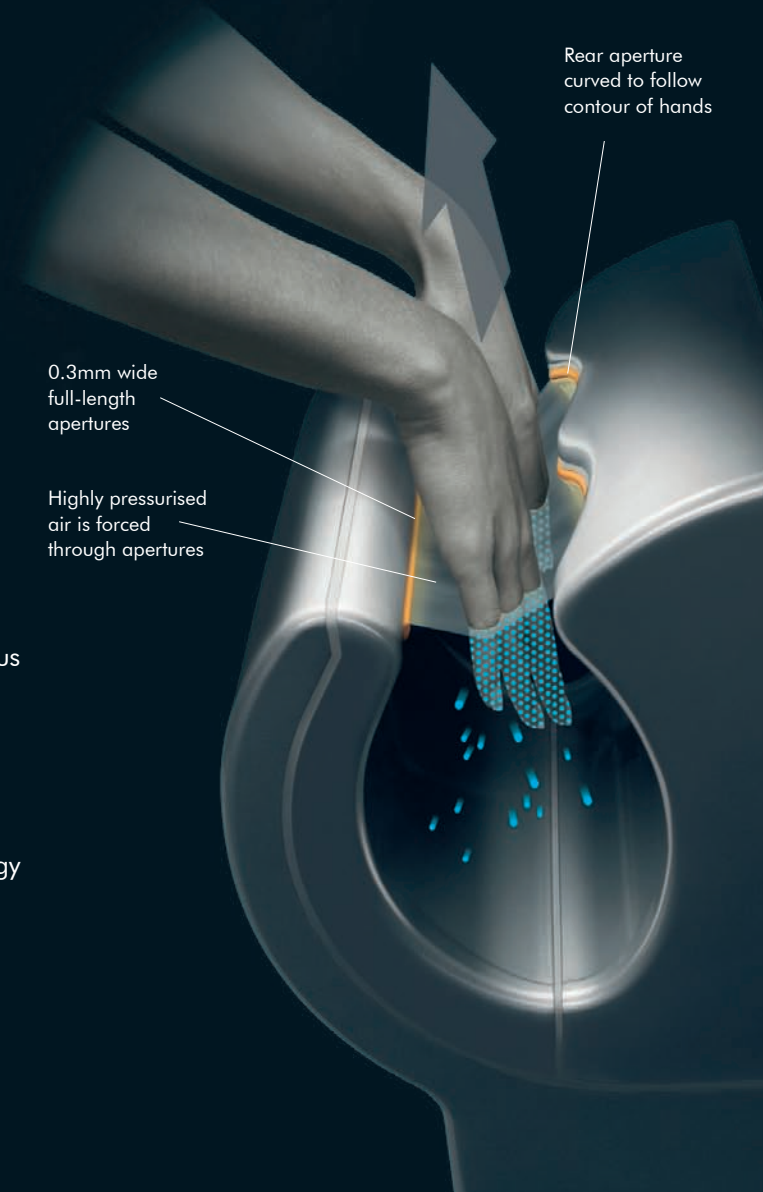
Designed by Dyson engineers, the Dyson digital motor works very differently to conventional, brushed motors.

It also uses digital pulse technology – spinning an incredible 88,000 times a minute.

airblade technology

Air is forced through two continuous apertures the width of an eyelash – creating sheets of air travelling at 400mph - scraping water from hands in just 10 seconds.

You won't find Airblade™ technology in any other hand dryer.



Did you know conventional motors rely on magnets and brushes that end up wearing down...



Why Airblade™ technology is better

Faster

Hands are dry in just 10 seconds.

Costs less to run

A faster dry time and no energy-hungry heating element means it uses considerably less energy than warm air hand dryers.

The only hygienic hand dryer

A HEPA filter purifies the air used to dry hands.

...and as they wear down they release carbon particles.

Inside the Dyson Airblade™ hand dryer

Rapid hygienic drying
Scrapes water from hands with a high-velocity sheet of air – like a windscreen wiper.

Efficient standby mode
Standby power consumption of 1 watt for increased energy efficiency.

Long-life, energy efficient motor
Uses digital pulse technology. Only three moving parts – no slip rings or carbon brushes to wear down.

Switched reluctance motor
Digitally switched at up to 6,000 times per second, making the high-compression fan spin up to 88,000 times a minute.

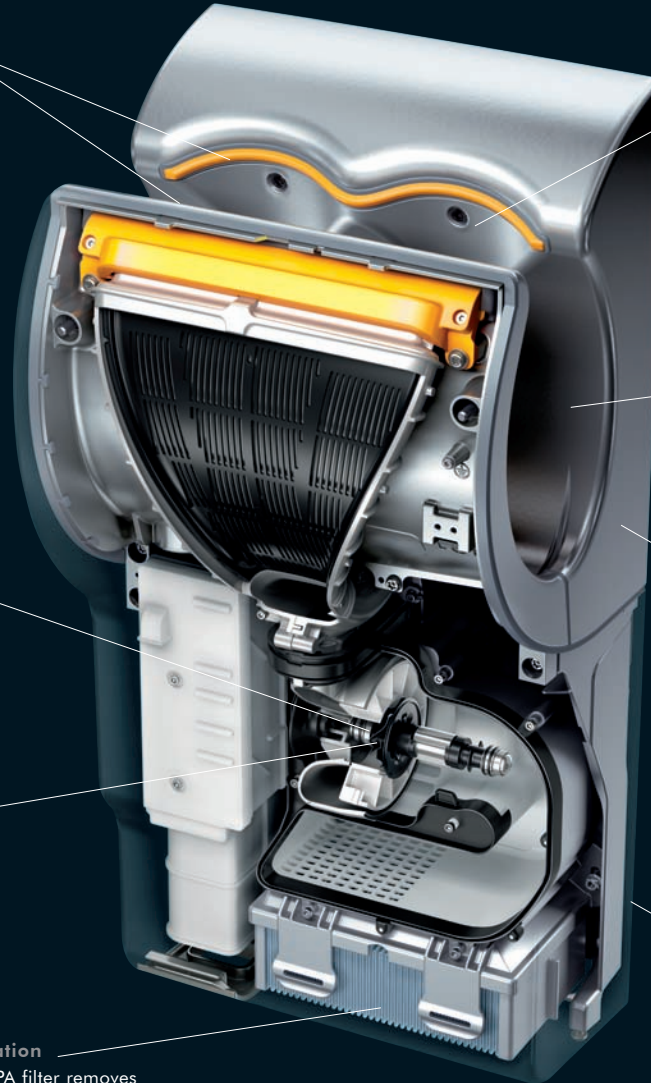
HEPA filtration
Lifetime HEPA filter removes and eliminates over 99.9% of bacteria from the air used to dry hands.

Touch-free operation
Intelligent infra-red sensor control for touch-free drying and minimal energy wastage.

Easy to clean
Tough, sealed ergonomic design for easy cleaning and maintenance.

Anti-microbial additives
Anti-microbial coating on all external surfaces kills 99.9% of bacteria.

Robust and durable casing
Durable casing resists chips and scratches.



How it works

1

Dirty washroom air is sucked in by the Dyson digital motor.

2

It passes through a hospital-grade HEPA filter, removing over 99.9% of the bacteria.

3

The purified air passes over the electronics, cooling them.

4

The air then reaches the motor, which channels it up and through the machine.

5

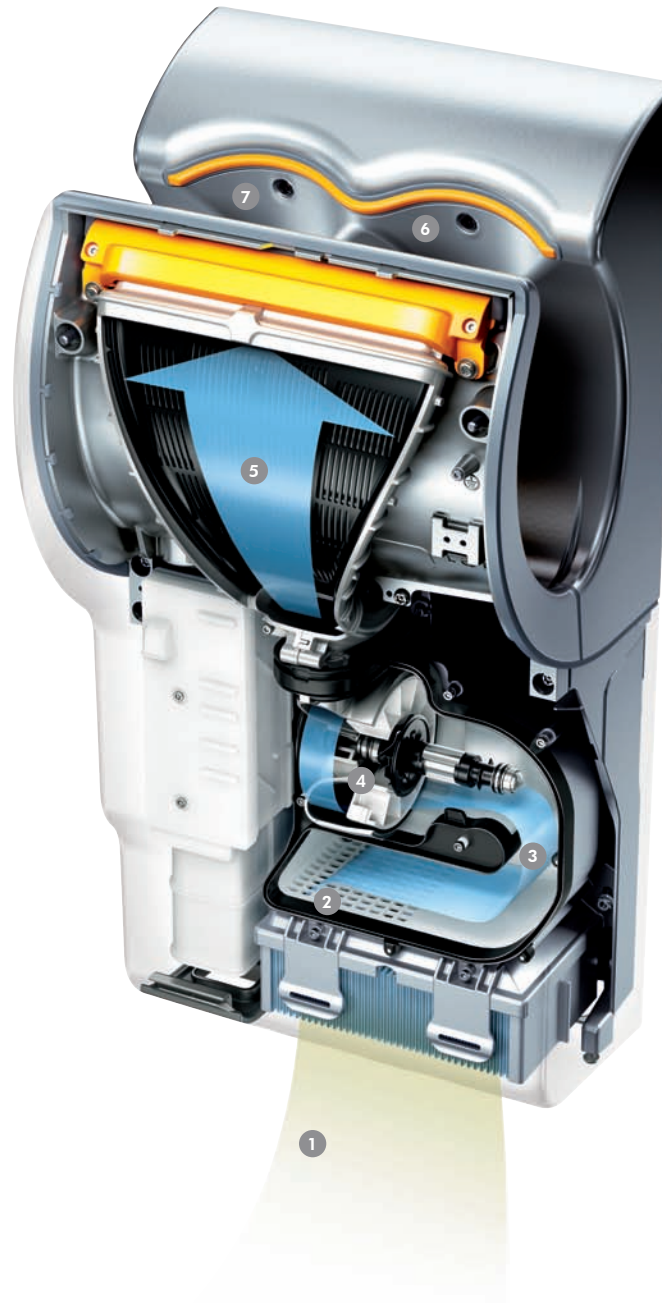
Air passes into the air ducts or horns, which are insulated to reduce noise.

6

It's then forced through two patented apertures – creating sheets of air travelling at 400mph.

7

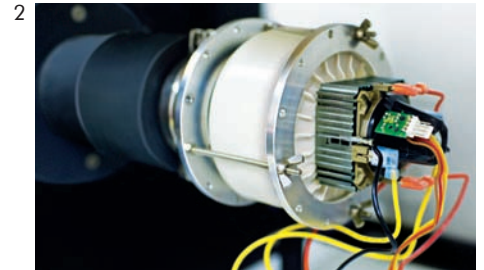
The two sheets of air literally scrape water from hands.



Test. Test. Test.

Dyson engineers spent three years developing, testing and refining the Dyson Airblade™ hand dryer.

As a result, it has a 5 year parts and 1 year labour guarantee.



- 1 Measuring moisture levels in paper towels after hand drying.
- 2 Testing the Dyson digital motor's ability to spin consistently at 88,000RPM.
- 3 Dyson engineers exposed the machines to relentless abuse and endurance testing.
- 4 Sampling hand dryers and washroom for bacteria.
- 5 50 fresh chickens were used to contaminate the hands of volunteers for microbiological skin testing before and after washing and drying hands.

Did you know An independent study by a leading university found that using warm air hand dryers increases bacteria at the skin's surface by an average of 255%.



If a hand dryer doesn't have this logo on it, it's not certified hygienic

Dyson scientists worked with leading independent public health and safety company, NSF International, to develop a set of criteria for measuring hand dryer hygiene. (Unsurprisingly, it's something other hand dryer manufacturers had never done before.)

The Dyson Airblade™ hand dryer meets every standard it set, making it the only truly hygienic hand dryer.

dyson airblade

The fastest, most hygienic hand dryer.

How to order the Dyson Airblade™ hand dryer

Order by phone direct from Dyson

UK **0800 345 7788**

ROI **1800 932 630**

Call for details of Dyson's installation
service, terms and conditions.

www.dysonairblade.com

You can also order it from a national
network of electrical distributors.

To find your nearest distributor visit

www.dysonairblade.com

**The Dyson Airblade™ hand dryer
is also available to lease.**

10 second dry time

Sheets of air travelling at over 400mph scrape water from hands, like a windscreen wiper.

Costs less to run

Dries 19 pairs of hands for the price of a single paper towel.*

Uses up to 80% less energy than warm air hand dryers

Patented Dyson digital motor spins 88,000 times a minute - delivering a much faster dry time using less energy.

The only truly hygienic hand dryer (certified by NSF International)

A HEPA filter removes over 99.9% of bacteria from the air used to dry hands.

Touch-free operation

Starts and stops automatically.
No dirty buttons to press.

Easy to clean

Sealed casing infused with anti-microbial additives eliminates 99.9% of surface bacteria.

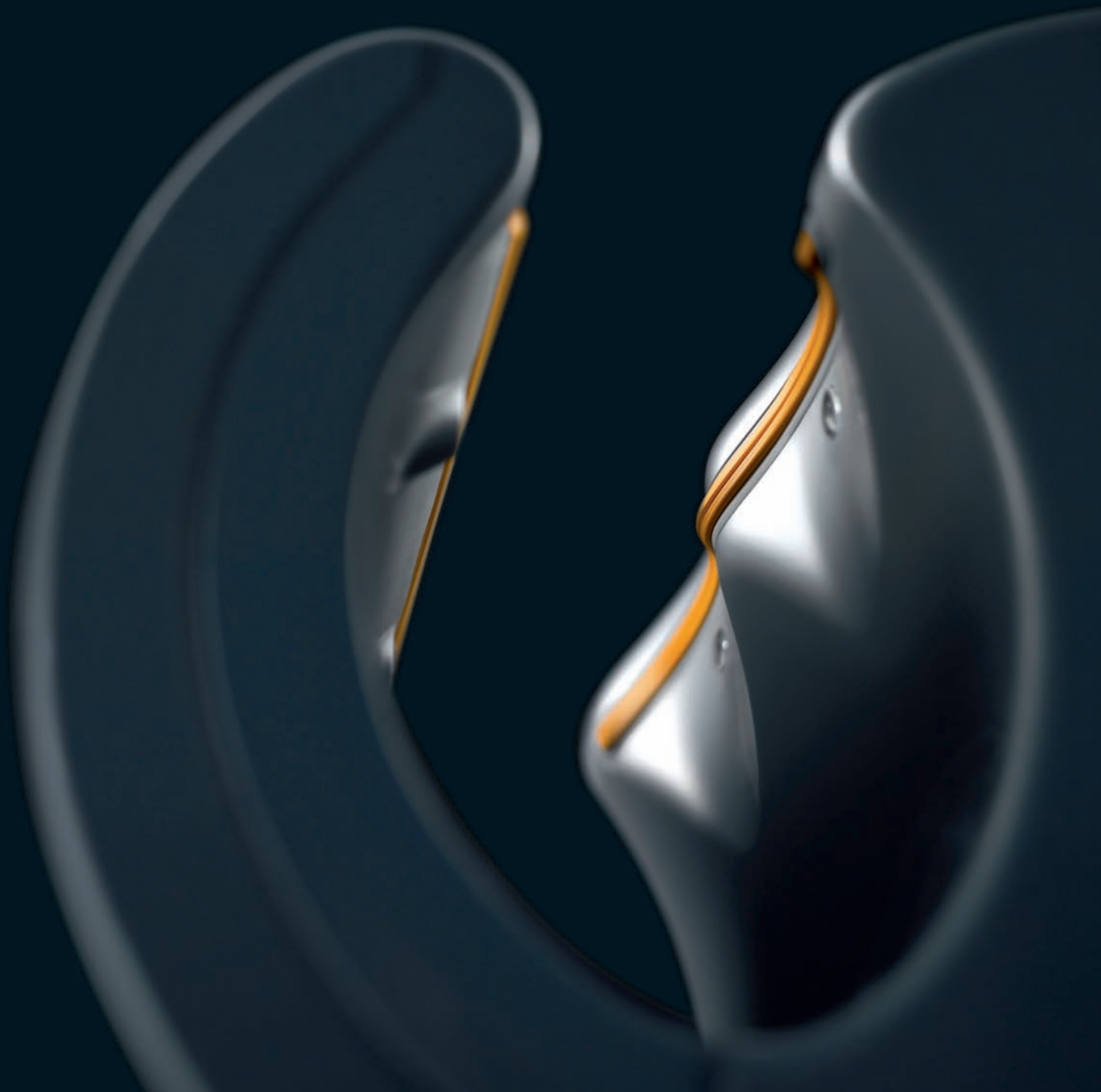
Tough and durable

Robust, vandal-proof casing.

5 year guarantee

Comes with a 5 year/350,000 guarantee covering parts and 1 year labour guarantee.

*Calculations based on average paper towel cost of £0.0075 and on electricity charge of £0.09 per kWh.



dyson airblade

The fastest, most hygienic hand dryer.

Call our experts

UK **0800 345 7788**

ROI **1800 932 630**

7am–10pm, 7 days a week.

Visit our website

www.dysonairblade.com



For additional information, advice or support you can contact our team of Dyson experts whenever you need them. Our helpline is open 7 days a week or you can visit our website for product information or online support.