

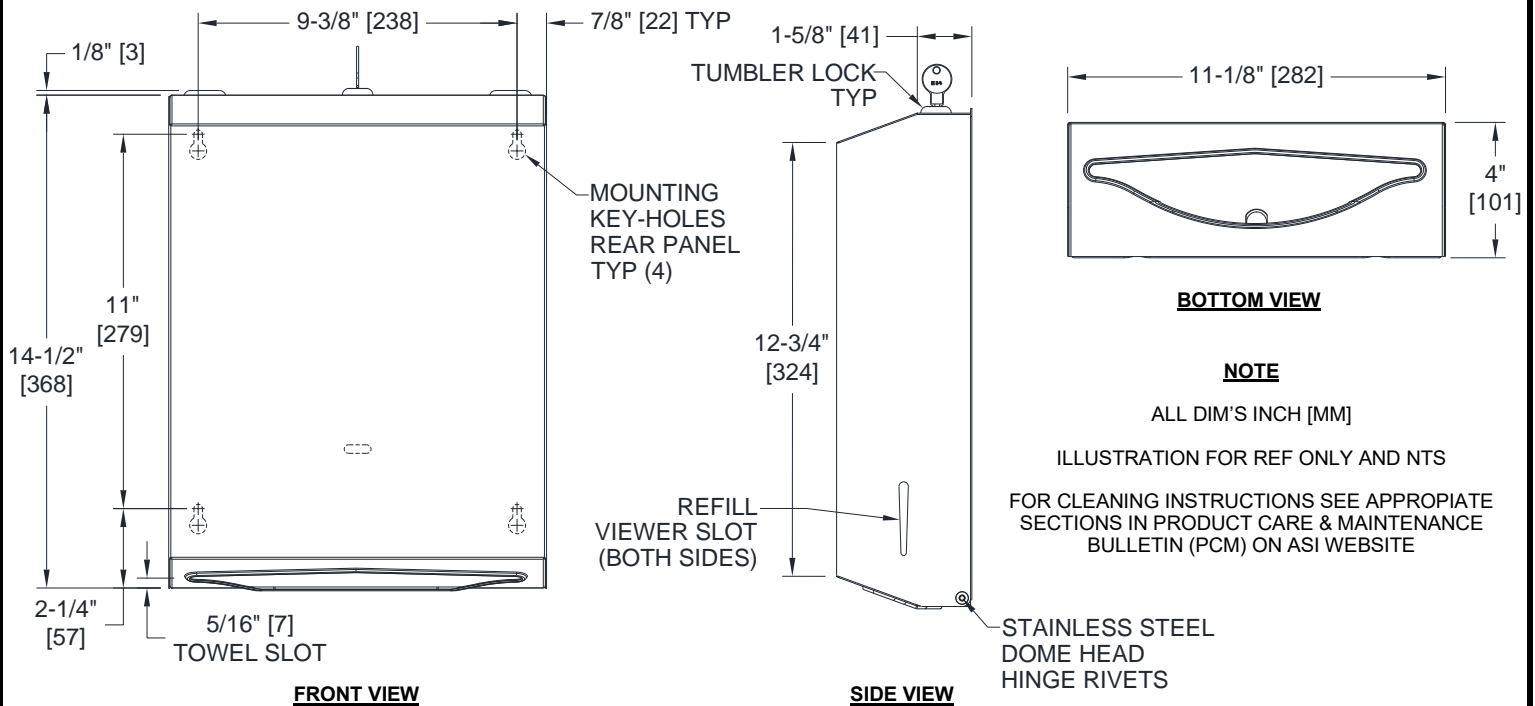


MODEL №: 0210-41

ISSUED: 4 FEB 2022

REVISED: 18 FEB 2022

## SURFACE MOUNTED PAPER TOWEL DISPENSER



**BOTTOM VIEW**

### NOTE

ALL DIM'S INCH [MM]

ILLUSTRATION FOR REF ONLY AND NTS

FOR CLEANING INSTRUCTIONS SEE APPROPRIATE SECTIONS IN PRODUCT CARE & MAINTENANCE BULLETIN (PCM) ON ASI WEBSITE

## SPECIFICATION

Surface Mounted Paper Towel Dispenser shall hold and dispense 525 standard multi-fold or 400 standard C-fold paper towels and shall be 22 gage type 304 stainless steel alloy 18-8. All exposed surfaces shall have matte black finish. Towel dispensing slot shall have a fully hemmed-in rolled edge for snag-free dispensing and user safety. Dispenser door shall be hung on the unit with 3/16" Dia [Ø4,8] heavy duty stainless steel dome head hinge rivets and shall be held closed with a tumbler lock keyed alike to other ASI washroom equipment. Structural assembly of body and door components shall be of welded construction. Unit shall have refill viewer slots on each side. Unit shall have internal towel stack guides. Wall below unit shall be protected against accidental door drop by self-limiting body and hinge construction.

Surface Mounted Paper Towel Dispenser shall be Model № 0210-41 of American Specialties, Inc., 441 Saw Mill River Road, Yonkers, New York 10701-4913

## INSTALLATION

Surface mount on wall or partition using five (5) № 10 x 1-1/2" [Ø5 x 40] self-threading pan head screws (or four (4) screws & anchors as are provided) through concealed mounting holes provided. Four (4) mounting holes through back are keyhole slots for ease in hanging unit on pre-installed screws. Center mounting hole is horizontal slot for ease of vandal resistant locking. For compliance with 2010 ADA Accessibility Standards install unit so that towel dispenser slot is 48" [1219] Maximum Above Finished Floor if clear floor access is provided or 46" [1168] Max AFF if side reach over an obstruction (vanity) is only provided.

## OPERATION

Towels are self-feeding as withdrawn by hand until supply is depleted. Unit may be reloaded with a partial load in-place and will continue to feed properly. Low level of towel supply is indicated by view slots from 25% capacity to empty. Locking door prevents unauthorized access or removal.