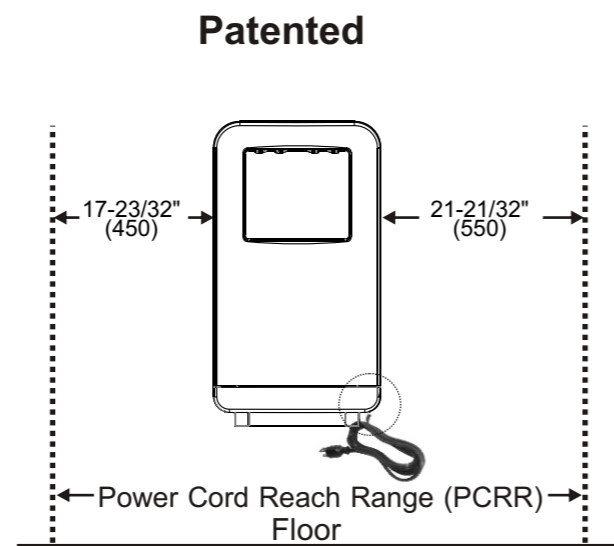
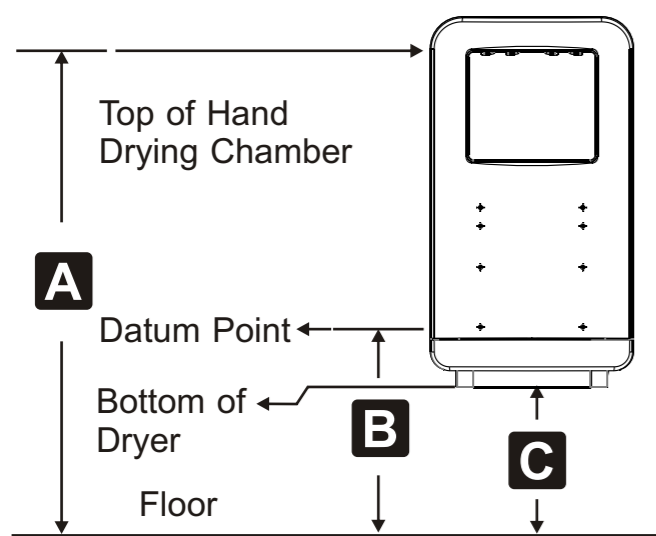


Recommended Mounting Heights

Above Finished Floor (AFF)

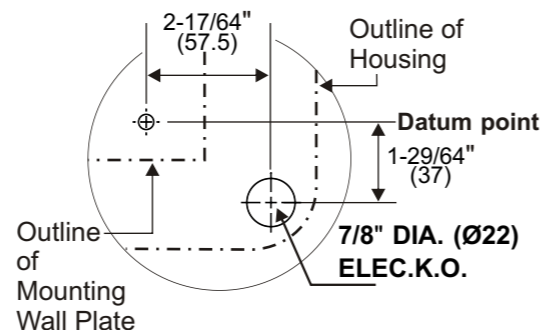
DIM'S inch(mm)	A From Top of Hand Drying Chamber	B From Datum Point	C From Bottom of Dryer
Men	45-9/32" (1150)	27-61/64" (710)	24-31/64" (622)
Women	42-33/64" (1080)	25-13/64" (640)	21-47/64" (552)
Children 4-7 years	30-45/64" (780)	13-25/64" (340)	9-59/64" (252)
Children 8-10 years	34-41/64" (880)	17-21/64" (440)	13-55/64" (352)
Children 11-13 years	37-63/64" (965)	20-43/64" (525)	17-13/64" (437)
Children 14-16 years	42-33/64" (1080)	25-13/64" (640)	21-47/64" (552)
Handicapped	35-7/16" (900)	18-7/64" (460)	14-41/64" (372)



Socket Location

The dryer is supplied with a power cord. The power cord entry position is in the rear, right side bottom of dryer. The length of the power cord is 39-3/8" (1m). The power cord can reach to the right side within the distance of 21-21/32" (550 mm) and reach to the left side within the distance of 17-23/32" (450 mm). Alternatively the unit may be hard wired to a terminal block through a rear panel KO.

SEE OWNER'S MANUAL 1205151748 FOR POWER RATING



Detail A Unit Rear

Model No's : 20200-1, 20200-2, 20200-3

Model No's : 20201-1, 20201-2, 20201-3

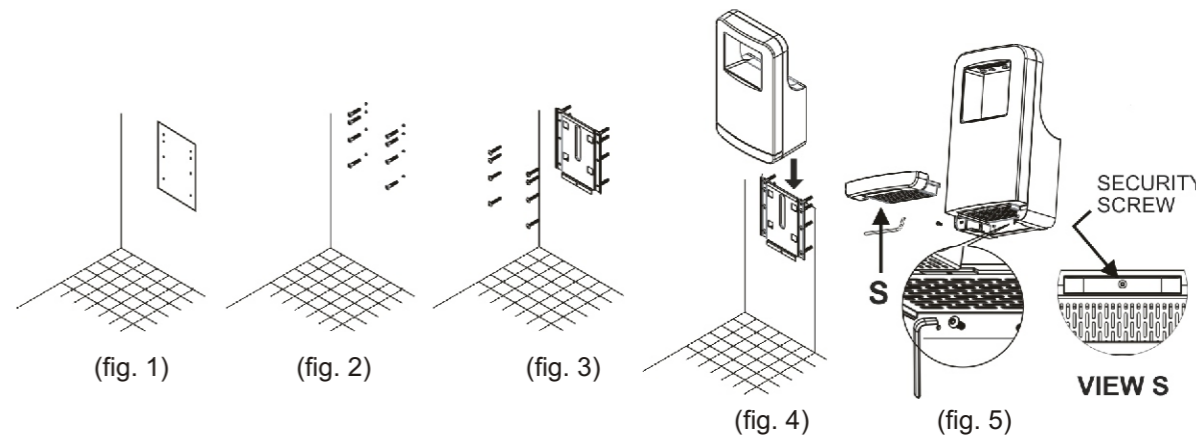
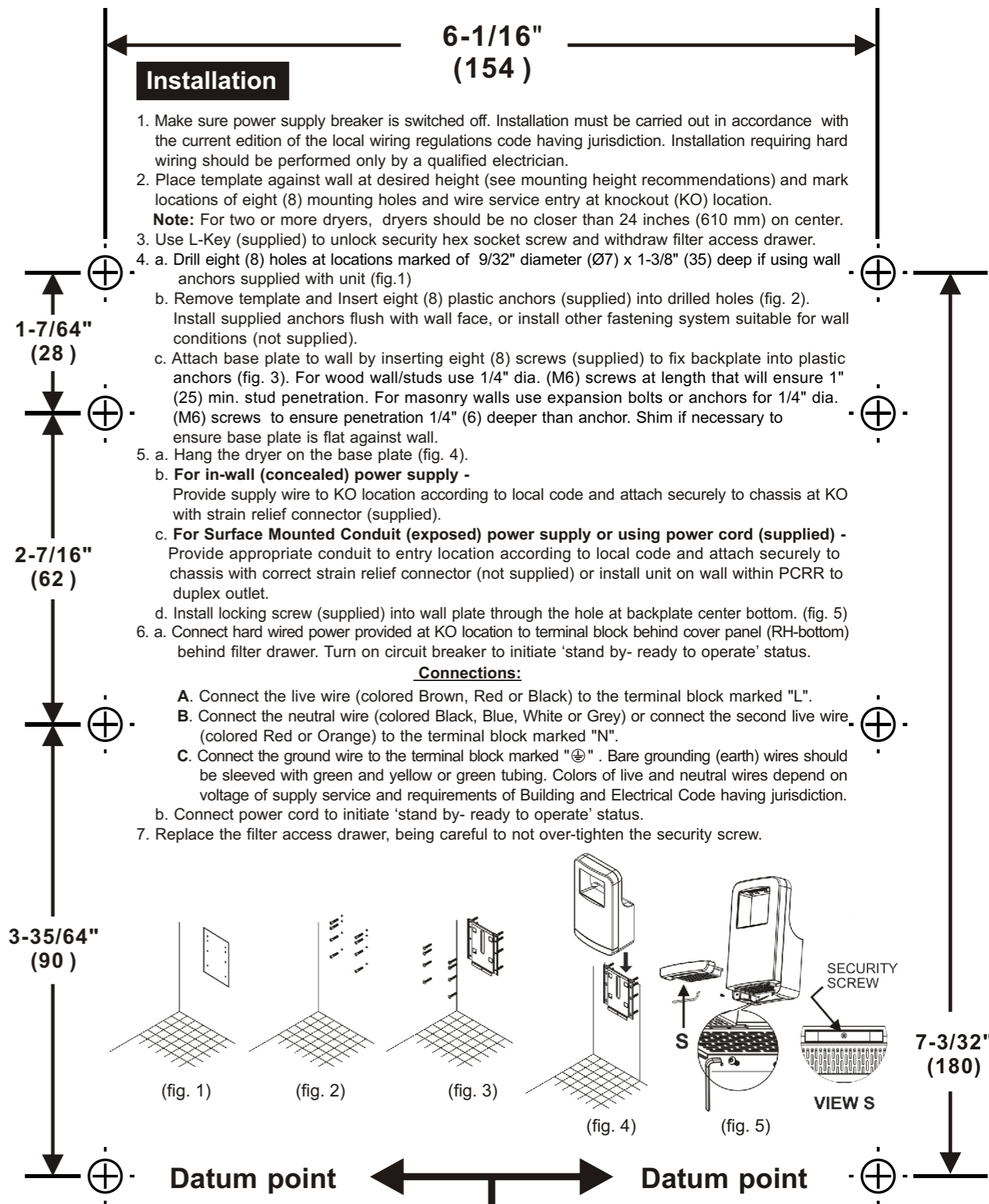
TAPE THIS SHEET TO WALL FOR HOLES LOCATION

Installation

1. Make sure power supply breaker is switched off. Installation must be carried out in accordance with the current edition of the local wiring regulations code having jurisdiction. Installation requiring hard wiring should be performed only by a qualified electrician.
2. Place template against wall at desired height (see mounting height recommendations) and mark locations of eight (8) mounting holes and wire service entry at knockout (KO) location.
 - Note:** For two or more dryers, dryers should be no closer than 24 inches (610 mm) on center.
3. Use L-Key (supplied) to unlock security hex socket screw and withdraw filter access drawer.
4. a. Drill eight (8) holes at locations marked of 9/32" diameter (Ø7) x 1-3/8" (35) deep if using wall anchors supplied with unit (fig.1)
 - b. Remove template and Insert eight (8) plastic anchors (supplied) into drilled holes (fig. 2). Install supplied anchors flush with wall face, or install other fastening system suitable for wall conditions (not supplied).
 - c. Attach base plate to wall by inserting eight (8) screws (supplied) to fix backplate into plastic anchors (fig. 3). For wood wall/studs use 1/4" dia. (M6) screws at length that will ensure 1" (25) min. stud penetration. For masonry walls use expansion bolts or anchors for 1/4" dia. (M6) screws to ensure penetration 1/4" (6) deeper than anchor. Shim if necessary to ensure base plate is flat against wall.
5. a. Hang the dryer on the base plate (fig. 4).
 - b. **For in-wall (concealed) power supply -** Provide supply wire to KO location according to local code and attach securely to chassis at KO with strain relief connector (supplied).
 - c. **For Surface Mounted Conduit (exposed) power supply or using power cord (supplied) -** Provide appropriate conduit to entry location according to local code and attach securely to chassis with correct strain relief connector (not supplied) or install unit on wall within PCRR to duplex outlet.
 - d. Install locking screw (supplied) into wall plate through the hole at backplate center bottom. (fig. 5)
6. a. Connect hard wired power provided at KO location to terminal block behind cover panel (RH-bottom) behind filter drawer. Turn on circuit breaker to initiate 'stand by- ready to operate' status.

Connections:

- A. Connect the live wire (colored Brown, Red or Black) to the terminal block marked "L".
 - B. Connect the neutral wire (colored Black, Blue, White or Grey) or connect the second live wire (colored Red or Orange) to the terminal block marked "N".
 - C. Connect the ground wire to the terminal block marked "⊕". Bare grounding (earth) wires should be sleeved with green and yellow or green tubing. Colors of live and neutral wires depend on voltage of supply service and requirements of Building and Electrical Code having jurisdiction.
- b. Connect power cord to initiate 'stand by- ready to operate' status.
7. Replace the filter access drawer, being careful to not over-tighten the security screw.



All Dim's
INCH (mm)

B