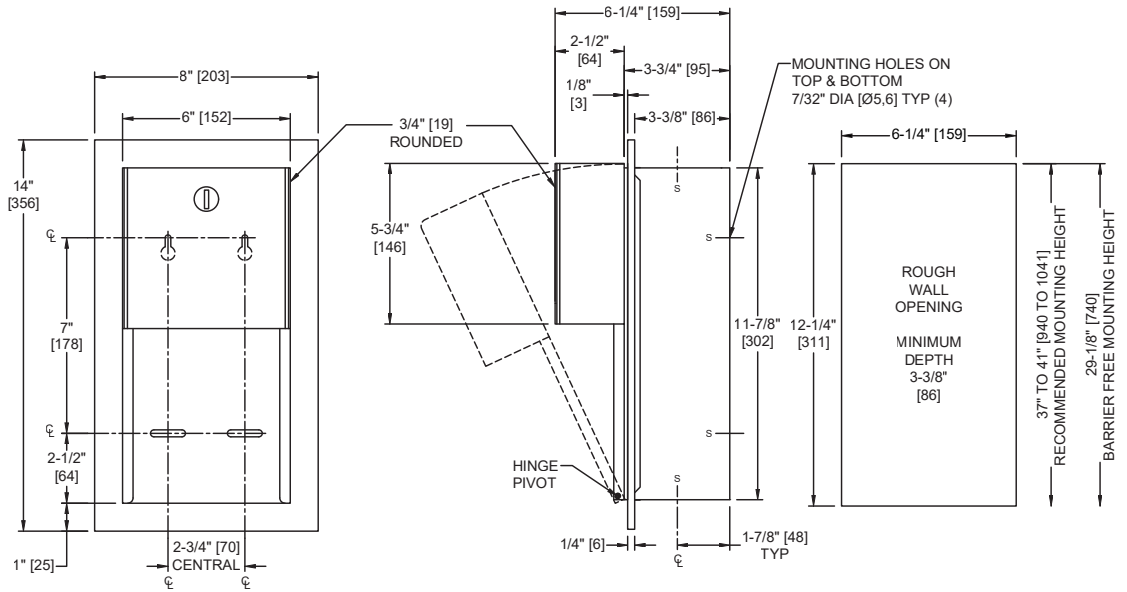


Profile Collection Toilet Tissue Dispenser, Twin Roll – Recessed

Toilet Tissue Dispensers

Profile

MasterFormat Section 10 28 13



Scan for Information



SUSTAINABILITY/LEED

MR 4.1 (1) MR 6 (1) EQ 4.2 (1)
MR 4.2 (1) EQ 4.1 (1) EQ 4.4 (1)

NOTE:
ALL DIM'S INCH [MM]
ILLUSTRATION FOR REF ONLY AND NTS

PRODUCT OVERVIEW

Type 304 stainless steel cabinet and mechanism for theft-resistant spindles holds 2 rolls up to 5-1/4" diameter [Ø133] (1800 sheets); the top roll automatically drops in place when the bottom roll is used up.

KEY FEATURES & SPECIFICATIONS

- Robust 18 gauge Stainless Steel face
- Curved (radius) edges add elegance
- 22 gauge Type 304 Stainless Steel - Satin Finish
- Recessed
- 3/16" [5] CONCEALED piano hinge adds durability
- Held closed with a flush rimless tumbler lock

OPERATION & MAINTENANCE

Reloading instructions are printed on graphic label inside door. Bottom roll is depleted prior to top roll automatically dropping into lower position for use. Empty rollers cannot be removed without key unlocking door.

TECHNICAL INFORMATION / PRODUCT PROPERTIES

Property	Value
Dimensions	8" [203] W x 14" [356] H x 6-1/4" [159] D
Construction	Type 304 Stainless Steel - Satin Finish 3/16" CONCEALED piano hinge adds durability
Mounting	Recessed
Capacity	Double Roll Paper Towel Dispenser - up to 800 ft. Length

INSTALLATION

Unit is semi-recessed mounted in wall using four (4) #10 self-threading Philips flat-head screws (by others) into suitable wall preparation (by others). Top two (2) mounting holes through back are "keyhole" slots for ease in hanging unit on pre-installed screws if so desired as alternate mounting method. Bottom two (2) mounting holes are horizontal slots for ease of adjustment. Alternate mounting holes are provided in top and bottom of unit for installation convenience. For compliance with 2010 ADA Accessibility Standards and 2015 ABA Standards install unit so that center line of dispenser is 7" [178] min to 9" [229] max in front of the water closet and axis of bottom roll is 15" [381] min AFF (Above Finished Floor) to 48" [1219] max AFF.

Rough Wall Opening (RWO) required is 6-1/4" [159] W x 12-1/4" [311] H x 3-3/8" [86] D minimum

OPTIONS

WARRANTY

One (1) Year from date of Invoice