



MODEL №: 0663-T

ISSUED: 29 JAN 2019

REVISED: 18 DEC 2020

VELARE™ BTM SYSTEM CABINET INSTALLATION GUIDE (Pg 1 of 3)

IMPORTANT: READ THESE INSTRUCTIONS COMPLETELY PRIOR TO BEGINNING INSTALLATION & RETAIN FOR FUTURE REFERENCE WITH SUB-SYSTEM OM'S.

Open the mirrored door using the tumbler lock located at the bottom of unit in order to access the interior of the module. Use caution when opening the door as the gas springs will raise the door from closed position. Remove and retain the key for future access.

Pack contents:

- 1x 6V AC/DC Adapter with 1 output plug for Foam Soap Dispenser
- 1x 12V AC/DC Adapter with 2 output plugs for EL Lighting System
- 2x Mounting Hanging Brackets

INSTALLATION OF WALL MOUNTING HANGER HOOKS

Appropriate wall reinforcement and AC duplex outlet must be prepared prior to initiating the Velare™ BTM System installation (see Fig. 2 for blocking reference and Fig. 5 for Electrical KO location). Install the two (2) wall mounting hanger hooks located in the interior of the module on wall using twelve (12) № 12 self-threading, pan-head screws (by others) (Fig. 1) into appropriate wall reinforcements (Fig. 2). Hang the cabinet on wall mounting hanger hooks (Fig. 3). Suggested mounting height is to position bottom of module 16" [406] to 20" [508] above vanity top (Fig. 4). Power can be provided to the interior of module through the Electrical Service KO for duplex outlets located at the back of the cabinet.

IMPORTANT: Install two (2) № 12 self-threading locking screws (by others) at the security locking holes to prevent unit from being lifted off hanger hooks.

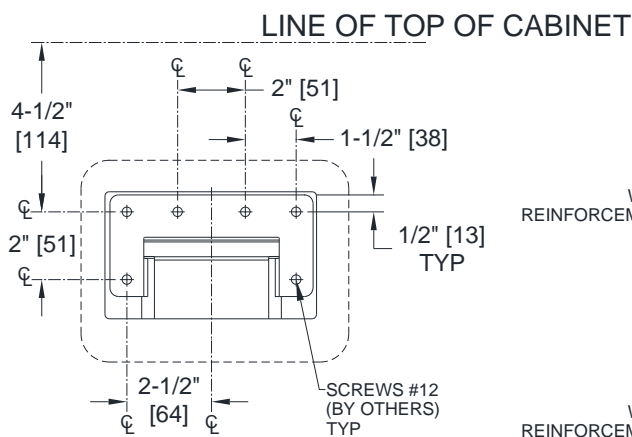


Fig. 1

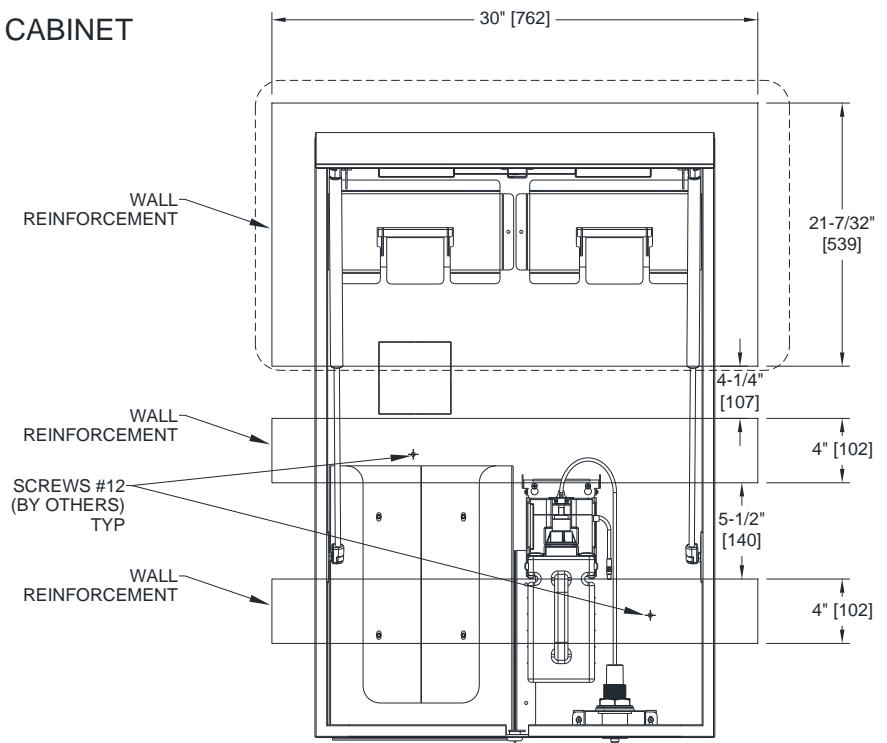
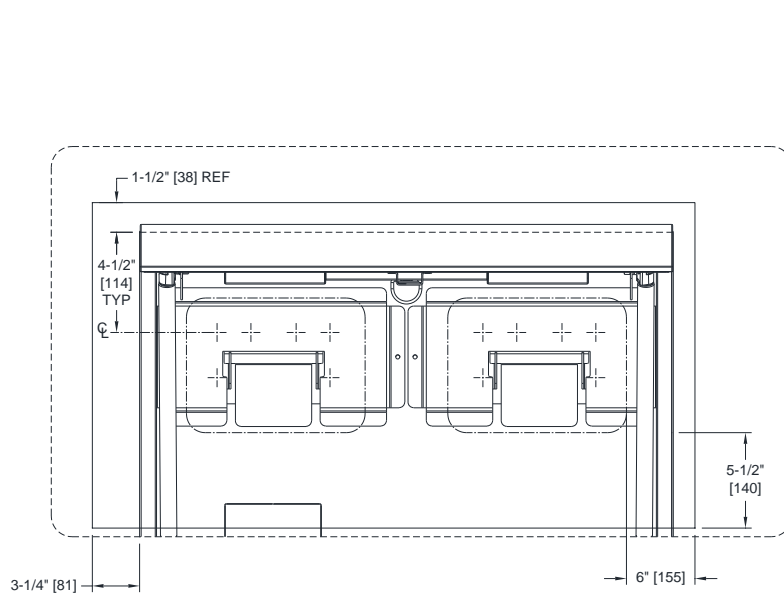
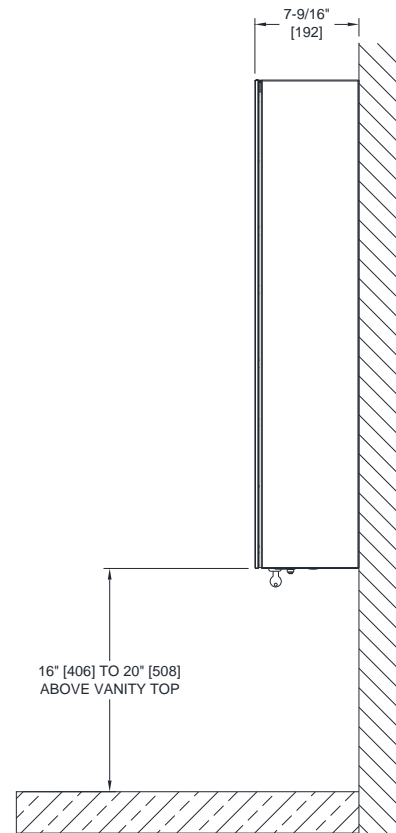


Fig. 2

NOTE:

ALL DIM'S INCH [MM]

ILLUSTRATION FOR REF ONLY AND NTS

VELARE™ BTM SYSTEM CABINET INSTALLATION GUIDE (Pg 2 of 3)

Fig. 3

Fig. 4
INSTALLATION OF EL-LIGHTING

Connect the two (2) output connector plugs of the 12V AC/DC Adapter with 2 Outputs (provided) into the two (2) DC Power switches' sockets (provided) located at the top of the cabinet. Connect the 12V AC/DC Adapter (provided) to the duplex outlet (by others). Turn ON the two (2) DC switches (provided).

INSTALLATION OF FOAM SOAP DISPENSER

Foam Soap Dispenser includes power supply adapter (provided, item 1) to be connected into one of the duplex outlet (by others). Soap Tank can be filled by removing the soap tank from soap tank holder bracket and lifting out the Foam Soap Pump Assembly. Fill the tank with foaming soaps with a pH in range 7 ± 1.5 and viscosity in range 1 ~ 100 cP (mPa·s). Replace the Foam Soap Pump Assembly after filling and place the soap tank back to the soap tank holder bracket. Make sure the soap tube has no kinks when refitting the Foam Soap Pump Assembly to the soap tank and it is not pinched.

PAPER TOWEL DISPENSER

Paper towels can be loaded in place. For Z-Fold or Multi-Fold towels use the adapter MFTA-2 (provided). For C-Fold towels do not use the MFTA-2 adapter and store it inside the cabinet for use at a later time when towel style may change.

INSTALLATION OF PULL-DOWN STRAP (BY OTHERS)

For ease of service by height challenged individuals an optional strap (not supplied, by others) can be attached to the D-ring welded onto the T-track raceway on the inside of the mirror door (see Fig. 5). This will provide a lower pulling point to aid in closing the door to the point that the gas struts will assist in final closing to shut position.

VELARE™ BTM SYSTEM CABINET INSTALLATION GUIDE (Pg 3 of 3)

WIRING NOT ALL SHOWN FOR ENHANCED CLARITY

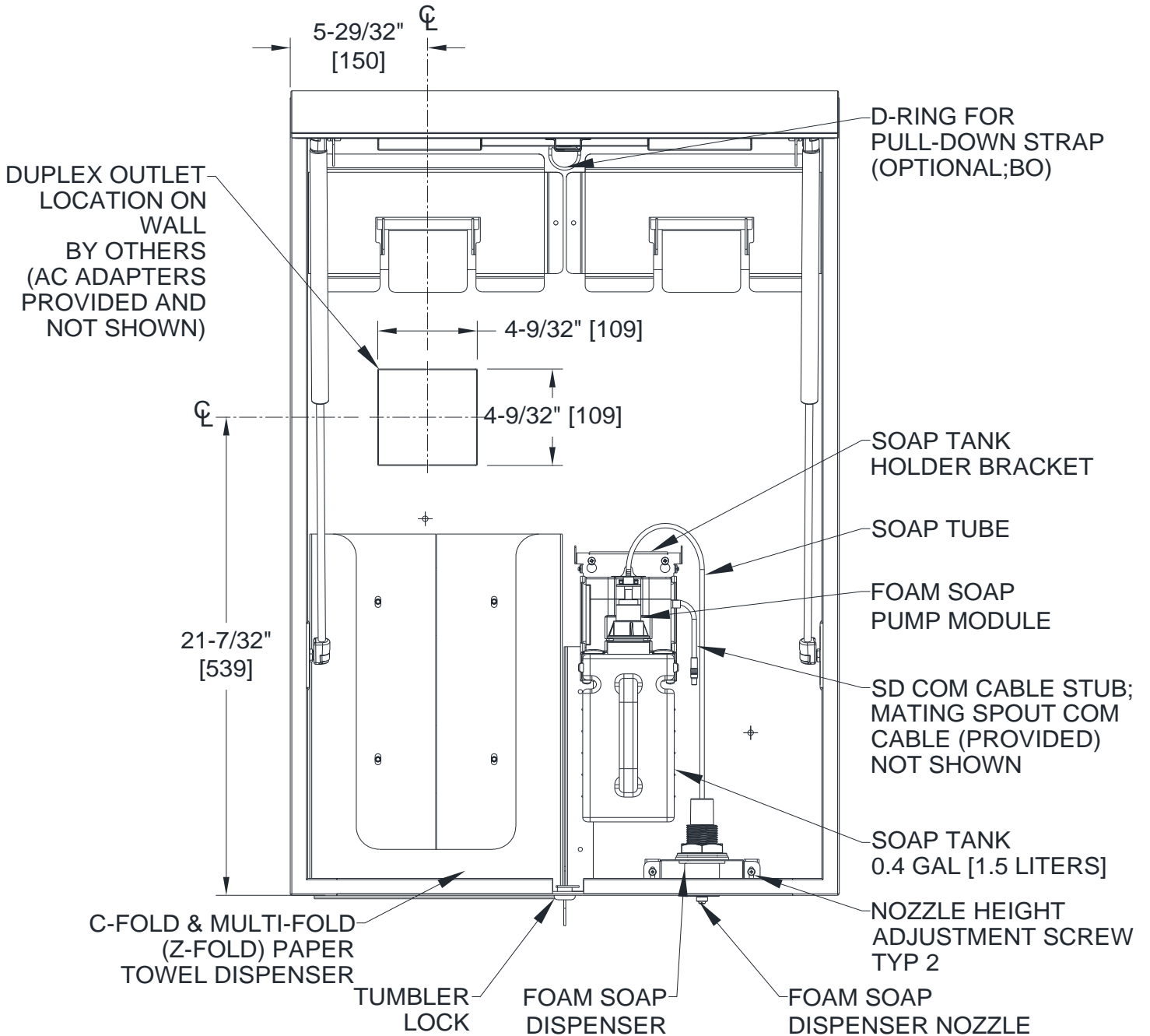


Fig. 5