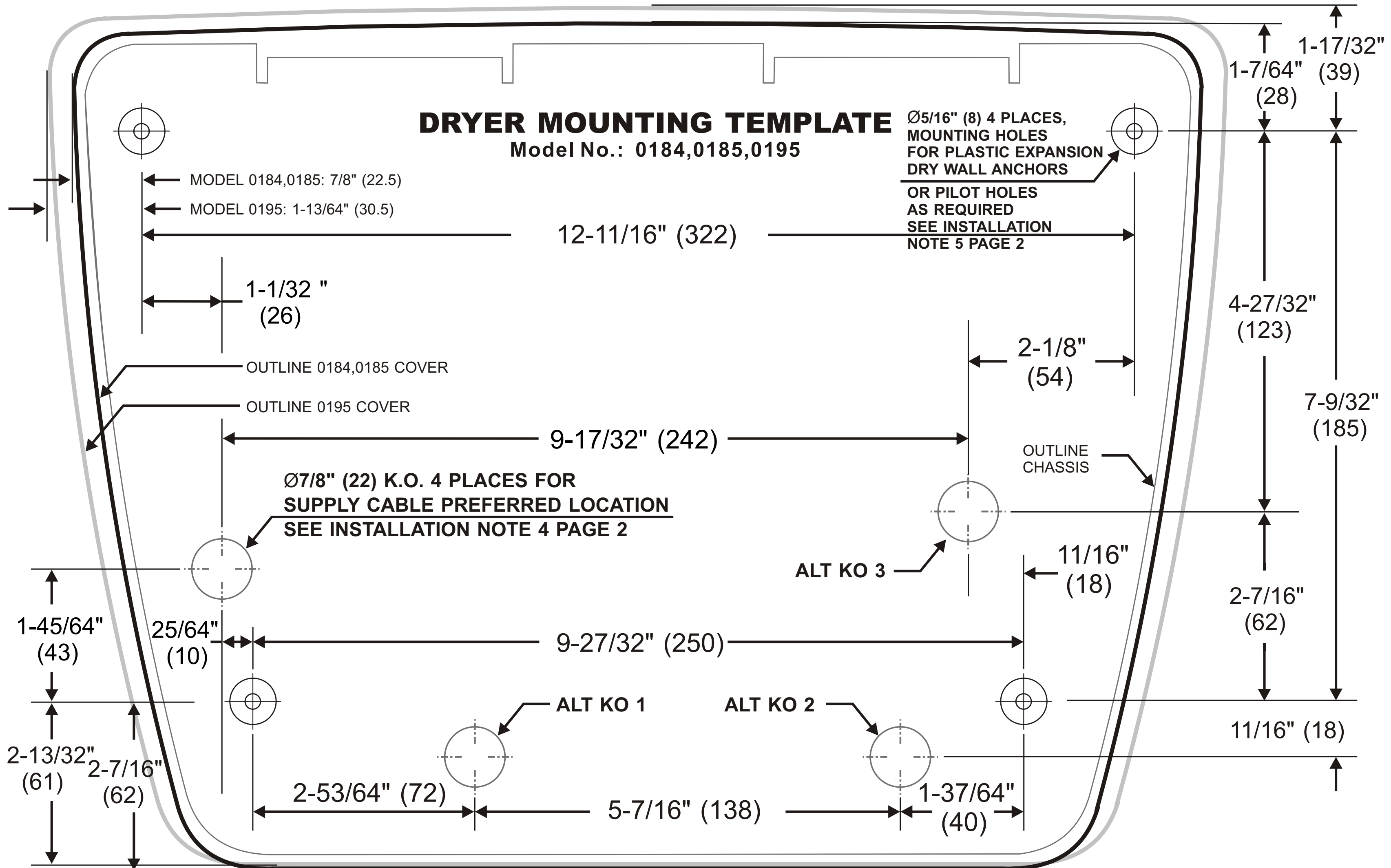


# DRYER MOUNTING TEMPLATE

Model No.: 0184,0185,0195

Ø5/16" (8) 4 PLACES,  
MOUNTING HOLES  
FOR PLASTIC EXPANSION  
DRY WALL ANCHORS

OR PILOT HOLES  
AS REQUIRED  
SEE INSTALLATION  
NOTE 5 PAGE 2



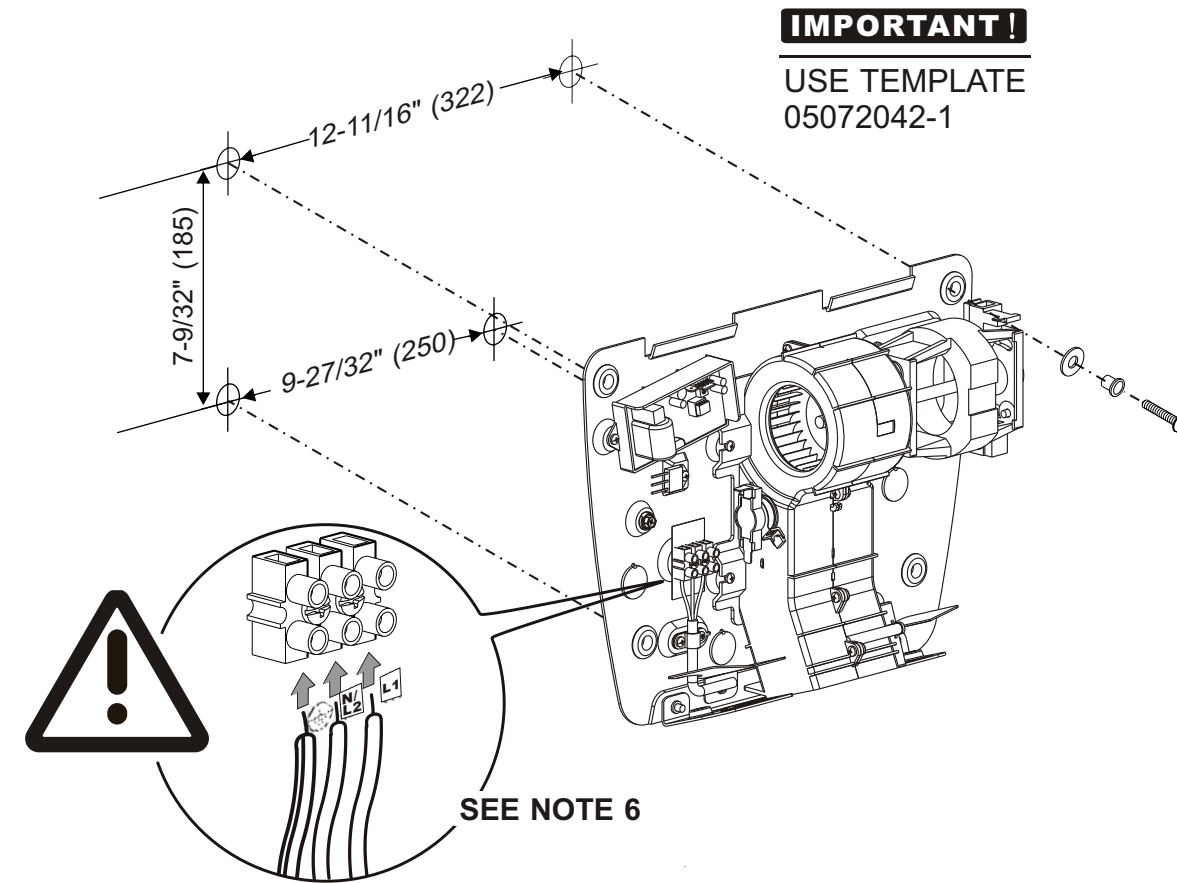
**Recommended mounting heights** - from bottom edge of dryer above finished floor (AFF)

Men	50"	(1270 mm)	Reference <b>ADAAG</b> Reach LIMIT (unrestricted)	AFF (maximum)
Women	47"	(1194 mm)		
Children 4-7 years	35"	(889 mm)	<hr/>	All Approaches
Children 8-10 years	39"	(991 mm)		
Children 11-13 years	43"	(1092 mm)		
Children 14-16 years	47"	(1194 mm)		
Handicaped	40"	(1016 mm)		
			48"	(1219 mm)

**Installation** - **IMPORTANT - READ COMPLETELY BEFORE STARTING INSTALLATION PROCEDURE**

1. Make sure power supply breaker is switched off. Installation must be carried out in accordance with the current edition of the local wiring regulations code having jurisdiction. Installation should be performed only by a qualified electrician.
2. Place template against wall at desired height (see mounting height recommendations) and mark locations of 4 mounting holes and wire service entry at knockout (KO) location.  
**Note:** For two or more dryers, dryers should be no closer than 24 inches (610 mm) on center.
3. Remove and retain 2 cover screws and cover.
4. **For in-wall (concealed) power supply** - Provide supply wire to KO location according to local code and attach securely to chassis at KO with appropriate strain relief connector (not supplied).
5. Attach dryer to wall. For wood wall/studs use Ø1/4 inch (6 mm) screws at length that will ensure 1 inch (25 mm) min. stud penetration. For masonry walls use expansion bolts or anchors for Ø1/4 inch (6 mm) screws to ensure penetration 1/4 inch (6 mm) deeper than anchor. Shim if necessary to ensure base plate is flat against wall.
6. Connect supply and ground wires to terminal block where indicated or connect supply wires to terminal block where indicated and connect ground wire to base plate with ground screw (Connections: A. Connect the live wire (colored Brown or Black) to the terminal block marked "L1". B. Connect the neutral wire (colored White or Grey) or connect the second live wire (colored Red or Orange) to the terminal block marked "N/L2". C. Connect the ground wire (colored green or green and yellow or bare conductor) to the terminal block marked "⊕" or to the green screw marked "⊕"). Colors of live and neutral wires depend on voltage of supply service and requirements of Building and Electrical Code having jurisdiction.
7. Replace cover. Do not over-tighten screws.
8. Switch on circuit breaker and test unit operation.
9. Complete and mail registration reply postcard.

**Schematic**



**IMPORTANT!**  
USE TEMPLATE  
05072042-1

**Circuit Diagram**

