

### 1. Specifications :

Dimensions (WxHxD)	115x 240 x125 mm (4.5"x9.4"x4.9")
Soap Tank Capacity	1000 ml ( 34 floz )
Battery	6 Alkaline AA (1.5V)
Detection Range	Automatic Adjustment
Room Temperature	5°C~40°C ( 41°F ~104°F )
Sensing Delay Time	0.5 ~ 1 sec
Dispensing Time	Period Max 5 sec (Default 1sec) Adjustable
Applicable Liquid Soap Viscosity	1 ~ 3500 mPa · s ( cP )

### 2. Item List :

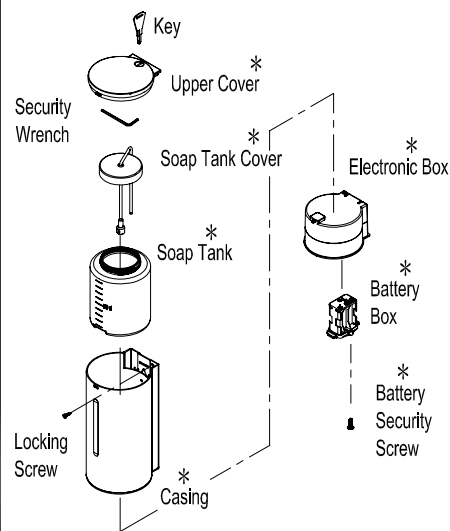
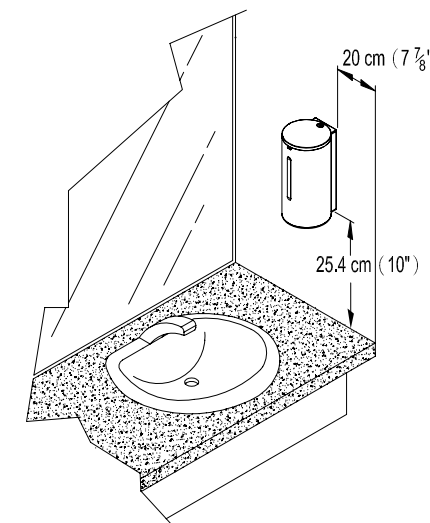


Illustration	Description	Q'ty	Illustration	Description	Q'ty
1	Key	2	6	mounting Screw	2
2	Installation Instructions	1	7	Locking Screw	1
3	Installation Template	1	8	Security Screw	1
4	Soap Dispenser	1Set	9	Battery Security Wrench	1
5	Plastic Anchor	3			

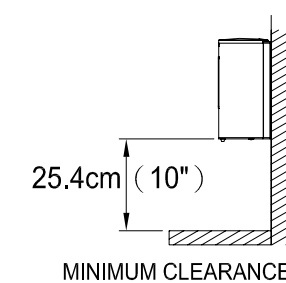
\* ITEMS ALL INCLUDED IN ITEM ④

### 3. Recommended Installation :

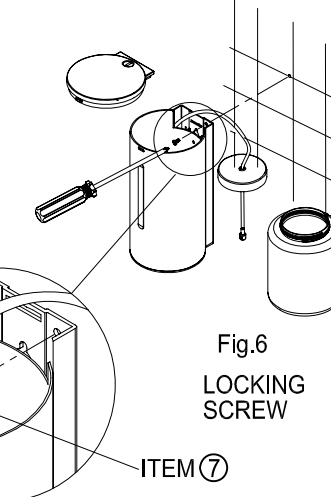
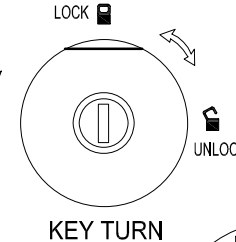
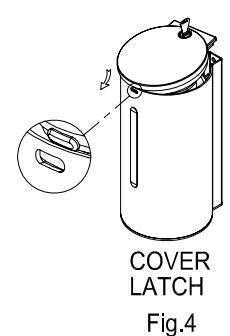
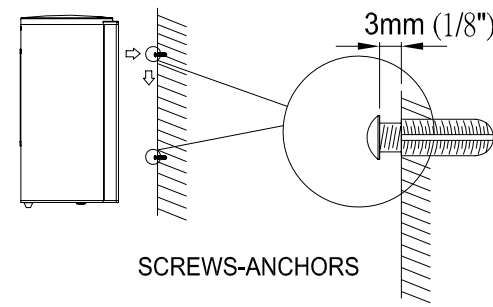
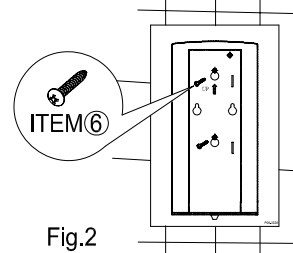
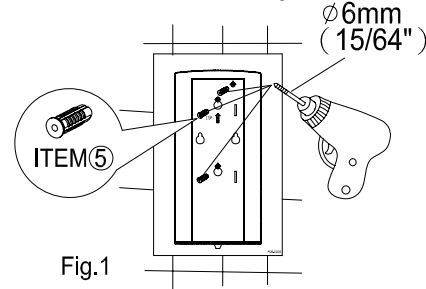


### 4. Before Installation :

1. Check if surface of wall is smooth and clean.
2. Make sure there are no obstructions below unit.



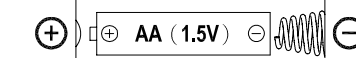
### 5. Installation Steps :



1. Tape the installation template at appropriate location on the wall.
2. Drill three holes dia. 6mm ( 15/64" ) , insert plastic anchors. ( Fig.1 )
3. Insert two mounting screws into plastic anchors and leave 3mm ( 1/8" ) space from the wall for hanging the dispenser. ( Fig.2 and Fig. 3 ) Remove the template.
4. Hang the dispenser on two fixing screws by the back plate holes of the dispenser.
5. Use key to unlock and remove the soap dispenser lid. ( Fig. 5 and Fig. 4 )
6. Remove soap container, then lock dispenser to wall with included locking screw. ( Fig. 6 )

### 7. Installation Check :

1. Check if soap dispenser is firmly fixed to the wall.
2. Check if soap container cover is closed properly and no soap is leaking.
3. Use 6 new Alkaline AA ( 1.5V ) batteries. Ensure batteries are installed properly and in the right direction ( note +/- indication ) . ( Fig.7 )
4. Once batteries are installed and casing is closed, a red LED light will flash 4 times to indicate normal function.
5. Make sure soap dispenser is locked properly with the included key.
6. Ensure that battery cover is secured with battery security screw.



Caution : Batteries incorrect polarity may cause malfunction.

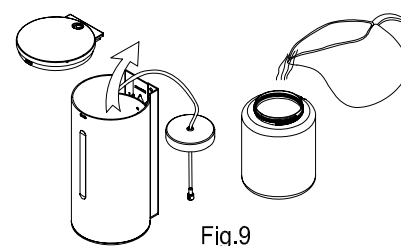
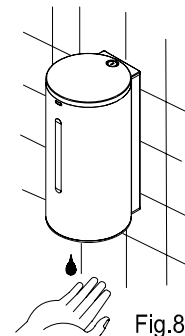
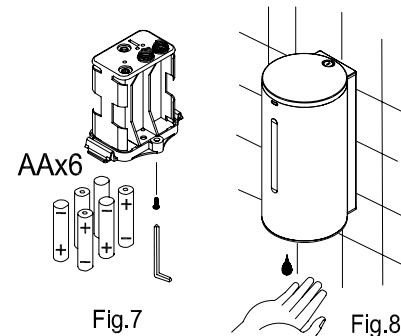
### 6. Operation Instructions :

#### A. Service Instructions

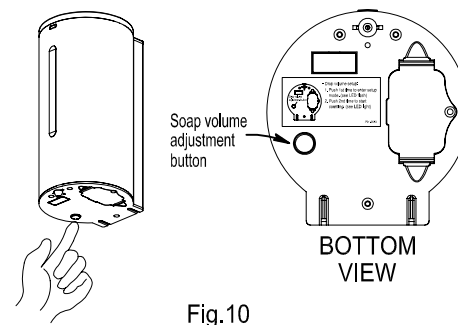
1. Open upper cover with included key. ( The security wrench for battery box is attached in the upper cover. )
2. Remove cover from battery box, put the 6 Alkaline AA 1.5V batteries into the battery box, reinstall battery box and close with cover. ( Fig. 7 )
3. Remove soap container, open it and pour liquid soap into container. Close properly. Should any soap spill over the outside of the tank, clean it thoroughly. Replace clean soap container into original position, close casing and lock it.
4. Then place your hand under dispenser. The LED will turn on and the dispenser will release soap.
5. When used the first time, repeat step 4 a few times to fill the system.
6. To safe guard the sensitive electrical components inside the dispenser, always remove the container completely from housing during refill. Never attempt to fill up when the inner container is still inside the housing unit. (Fig. 9)

#### B. Users Instructions

1. Put palm of your hand below the dispenser. The sensor will activate and the motor will release the preset amount of liquid soap.
2. If you need more soap, repeat step 1 a few times, waiting at least 1 sec before you replace your hand under the unit. Do not scoop soap from the nozzle as this may lead to damage. (Fig. 8)



### 8. Sensing Range and soap volume Adjustment :



- Sensing Range is self-adjusting automatically.
- Dispenser will detect the incoming object and adjust the sensing range dynamically.
- Drop volume setup: (Fig.10)
  1. Push 1st time to enter setup mode. (see LED flash)
  2. Push 2nd time to start timing for duration of dispense cycle up to 5 sec.
  3. Push 3rd time to set dispense cycle time and stop setup mode. (see LED off)

### 9. Important Notice :

1. Ensure no bright light source is aimed or reflected at the sensor from below.
2. Use fresh new liquid soap only and clean the soap container properly before each re-fill. Deposits of old soap will lead to malfunction and jamming.
3. Do not dilute liquid soap unless concentrate and do not use soap containing abrasive. Observe indicated viscosity factor of liquid soap.
4. Do not immerse the soap dispenser in water or clean it under running water. This will lead to short circuit.
5. Should the dispenser be out of order and batteries have been replaced, do not attempt any repair work. Call your dealer for professional assistance.

### 10. Battery Low Indication:

- Stage 1: LED flashing indicates battery low condition.  
 Stage 2: LED always lit up indicates battery is nearly exhausted.

### 11. Troubleshooting

Problem	Solution
LED does not indicate	- Check batteries and ensure they are new and properly installed. - Check sensor cover for stain. Clean unit properly.
LED flashes when unit is not used	- Low voltage: change batteries. (Fig. 7) - Sensor is activated constantly. - Remove the object below the sensor. - If above does not help, please call your dealer for professional assistance.
No soap discharges when motor works	- Obstructed soap dispenser nozzle. Clean soap container or change it. - Check if soap is not liquid enough. (viscosity as per specification)
Insufficient soap is released	- Soap has hardened: use unit for several times or remove soap container and wash it thoroughly and refill with new soap. - Soap nozzle is obstructed: wash soap container and use unit continuously until normal soap quantity is dispensed. - Reprogram volume adjustment button.

For all other inquiries call your dealer for technical assistance.

**ASI**  
**INSTALLATION INSTRUCTIONS**  
**FOR MODEL NO 0360**