



 **Fumagalli Componenti** S.p.A.
info@igiene-shop.eu - www.igiene-shop.eu

 **FUMAGALLI**[®]

NATUS JET
NATUS JET UVC
Powerful and antibacterial



LW44A JET LW44A JET UVC



Powerful and antibacterial

Extremely powerful. The NATUS hand-dryer is also available with the UVC antibacterial lamp to grant maximum hygiene to the end-user. Automatically operated by photocell, air blows for the required time by positioning the hands below the outlet. It naturally completes the washroom with its elegant design, offering high drying performances.



MADE IN ITALY

Focus

DESIGN

Soft shapes, elegance, comfort and simplicity. It fits well in every bathroom and satisfies every end-user

CONVENIENT

Great quality/price ratio

COMPACT

Reducing installation constraints, minimal amount of space

MAXIMUM HYGIENE

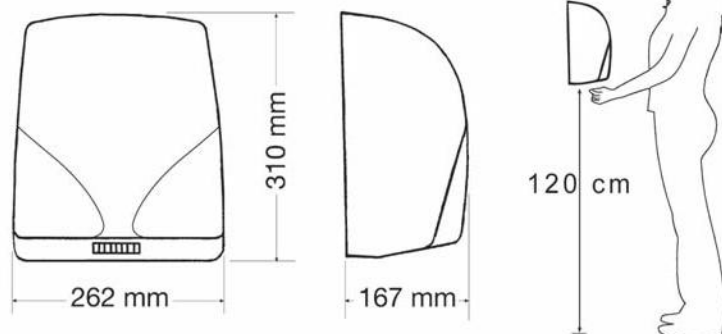
Equipped with an antibacterial UVC lamp

FAST

High drying performances

Technical characteristics

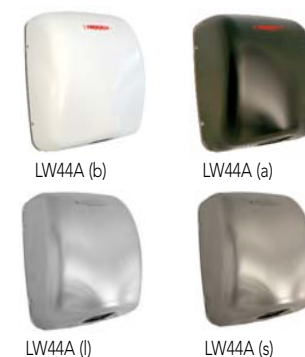
	LW 44A NATUS JET	LW 44A NATUS JET UVC
Cover material	Stainless steel AISI 304/ Carbon steel	Stainless steel AISI 304/ Carbon steel
Finishing	Bright/Satin/Enamelled	Bright/Satin/Enamelled
Electrical protection level	Class I	Class I
Ingress protection level	IP21	IP21
Supply voltage	220/240 V	220/240 V
Main frequency	50/60 Hz	50/60 Hz
Motor power	1100 W	1100 W
Heating element	-	-
Total absorption	From 500 to 1100 W	From 500 to 1100 W
Maximum absorption per drying cycle	5,2 W	5,2 W
Temperature regulator	-	-
Adjustable outlet air speed	132 - 180 km/h	132 - 180 km/h
Air flow (according to air speed)	130 - 190 m ³ /h	130 - 190 m ³ /h
Average drying time (according to air speed)	17"	17"
Noise level (according to air speed) recorded at 50 cm	Min (84 dB) Max (89 dB)	Min (84 dB) Max (89 dB)
Noise level (according to air speed) recorded at 100 cm	Min (79,5 dB) Max (85 dB)	Min (79,5 dB) Max (85 dB)
Noise level (according to air speed) recorded at 300 cm	Min (76 dB) Max (84 dB)	Min (76 dB) Max (84 dB)
LED maintenance warning	-	-
Activation	Photocell	Photocell
HEPA filter	-	-
UVC device	-	Yes
Test certificate	Yes	Yes



Technical features



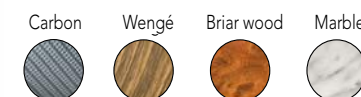
Standard range



Colour range



Collection range





NATUS LW44A JET

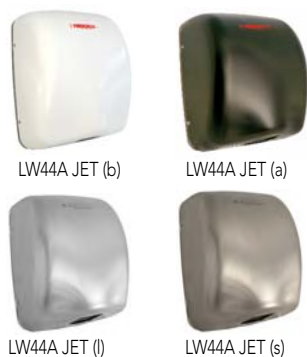


LW44A JET (s)

Technical features



Standard range



LW44A JET (b)

LW44A JET (a)

LW44A JET (l)

LW44A JET (s)

Colour range



Collection range



Carbon

Wengé

Briar wood

Marble



NATUS LW44A JET UVC



LW44A JET UVC (l)

Technical features



Standard range



LW44A JET UVC (b)

LW44A JET UVC (a)

LW44A JET UVC (l)

LW44A JET UVC (s)

Colour range



Collection range



Carbon

Wengé

Briar wood

Marble



Security device
Water-stop



Security device
Thermal protection
Skin care



Test report
Supplied with
each dryer



LEM patented system
Easy maintenance
motor block



Revolving nozzle
360° revolving nozzle



Turbo



JET



**Customizable ultra fast
air speed**
High performance motor,
electronic air
speed setting



HPA system
Air heating without
heating element



Long life motor
Long life resistant special
motor, with low power
absorption



Revolving hose
To easily direct
air flow



Double shaver plug
120/230 V with
secure lock



Ions generator
For comfort
hair dryer



Semi built-in



Built-in



**Electrical protection level
Class I**



**Electrical protection level
Class II**



Sliding rail



Paying system
Single or multiple
coin box



Fast drying
Reduced drying time



UVC system
Patented system
with UVC lamp
to reduce
bacteria load



Anti-Writer



Antimicrobial
Antimicrobial surface
treatment



Anti-theft, anti-vandal
Stainless steel body,
special screws



**Adjustable
temperature**



Safety switch off
Self stopping



Heating element
Low absorption heating
element



Reduced maintenance
Patented system to reduce
maintenance costs
(Eco Lem)



Aluminium



Stainless steel



Carbon steel



ABS



Polycarbonate