



# Technical Data

# OPTIONAL TowelMate® ACCESSORY


# 262-130

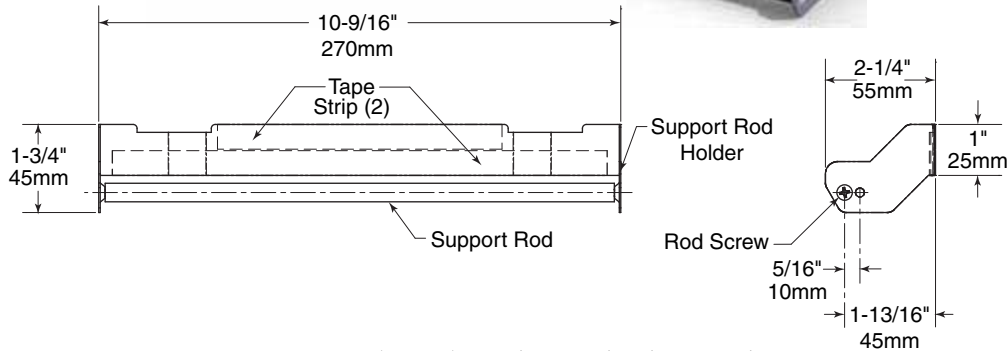
### For Retrofit into:

ClassicSeries® □ B-262 □ B-2620 □ B-2621 □ B-26212

Gamco Series □ TD-2, □ TD-2M, □ TD-2-8, □ TD-3, □ TD-3F, □ TD-3FS, □ TD-8

□ Other Manufacturers' comparable models to Bobrick's B-3944 family

 TowelMate reduces paper towel waste by 20% - 40% and complies with the US EPA Reduce & Reuse Resource Conservation Initiative.



### MATERIALS:

**TowelMate Module** – 18-8 S, Type 304, 24-gauge (0.6mm) stainless steel with 2B finish.

**TowelMate Support Rod** – Black, 3/8" (10mm) diameter Nylon 6/6 Rod fastened to Module with two stainless steel sheet metal screws.

### OPERATION:

Optional TowelMate Accessory fits into Bobrick Model Number(s) B-262, B-2620, B-2621, B-26212 ClassicSeries Paper Towel Dispensers. TowelMate Accessory Support Rod allows dispenser to dispense paper towels one at a time without tabbing, tearing, bulging, sagging or bunching. To load paper towels in towel tray, place stacks of folded paper towels inside module with bottom paper towel leaf facing forward. Feed first sheet from bottom of the towel tray opening over the rod and through the opening to conceal rod and start dispense.

### INSTALLATION:

Open door of towel cabinet and remove all existing paper towels from dispenser. For installation into Gamco models, remove (2) screws and relocate rod to rear holes in adapter bracket using the furnished white spacers (2) assembled between the Support Rod ends and the adapter bracket before securing screws in place. Remove protective film from double back tape on the back of TowelMate Accessory. Position TowelMate Support Rod evenly over the towel tray opening and firmly press TowelMate Module into dispenser cabinet back. Load stacks of paper towels into cabinet, start dispense, close cabinet door.

### SPECIFICATION:

TowelMate Accessory module shall be type-304 stainless steel with 2B finish. Black nylon support rod, 3/8" (10mm) diameter, fastened to module with stainless steel sheet metal screws. TowelMate Accessory fits into Bobrick Model Number(s) B-262, B-2620, B-2621, B-26212 ClassicSeries, Gamco Series Model Number(s) TD-2, TD-2M, TD-2-8, TD-3, TD-3F, TD-3FS, and TD-8, and other manufacturers' similar models. Paper Towel Dispenser fitted with TowelMate Accessory shall dispense specified capacity of multifold paper towels depending on model number. TowelMate Accessory Module has a Nylon Support Rod fitted across the center of the towel tray opening to dispense paper towels one at a time without tabbing, tearing, bulging, sagging or bunching (falling through the opening). TowelMate reduces paper towel waste by 20% - 40% and complies with US EPA Reduce & Reuse Resource Conservation Initiative.

**Optional TowelMate® Accessory shall be Model 262-130 of Bobrick Washroom Equipment, Inc., Clifton Park, New York; Jackson, Tennessee; Los Angeles, California; Bobrick Washroom Equipment Company, Scarborough, Ontario; Bobrick Washroom Equipment Pty. Ltd., Australia; and Bobrick Washroom Equipment Limited, United Kingdom.**