

Installation

The vender can be mounted on any vertical surface without removing any part of the unit. Any standard fastener not larger than 3/8" diameter such as wood screws, expansion bolts, machine bolts or carriage bolts can be used depending on the type of wall. The wall section selected for installation should be sturdy.

The top two fasteners should be loosely installed in the wall with the heads of the fasteners projecting out approximately 1/4" from the wall. Raise the top shelf of the magazine into its vend position to expose one of the two top mounting holes in the back of the cabinet. The keyhole shape of the mounting holes will permit you to hang the cabinet on the two fasteners. While in this unsecured position, mark the bottom mounting holes on the wall and remove the cabinet. Install the bottom two fasteners and secure the cabinet to the wall using washers under the heads of all fasteners.

Loading

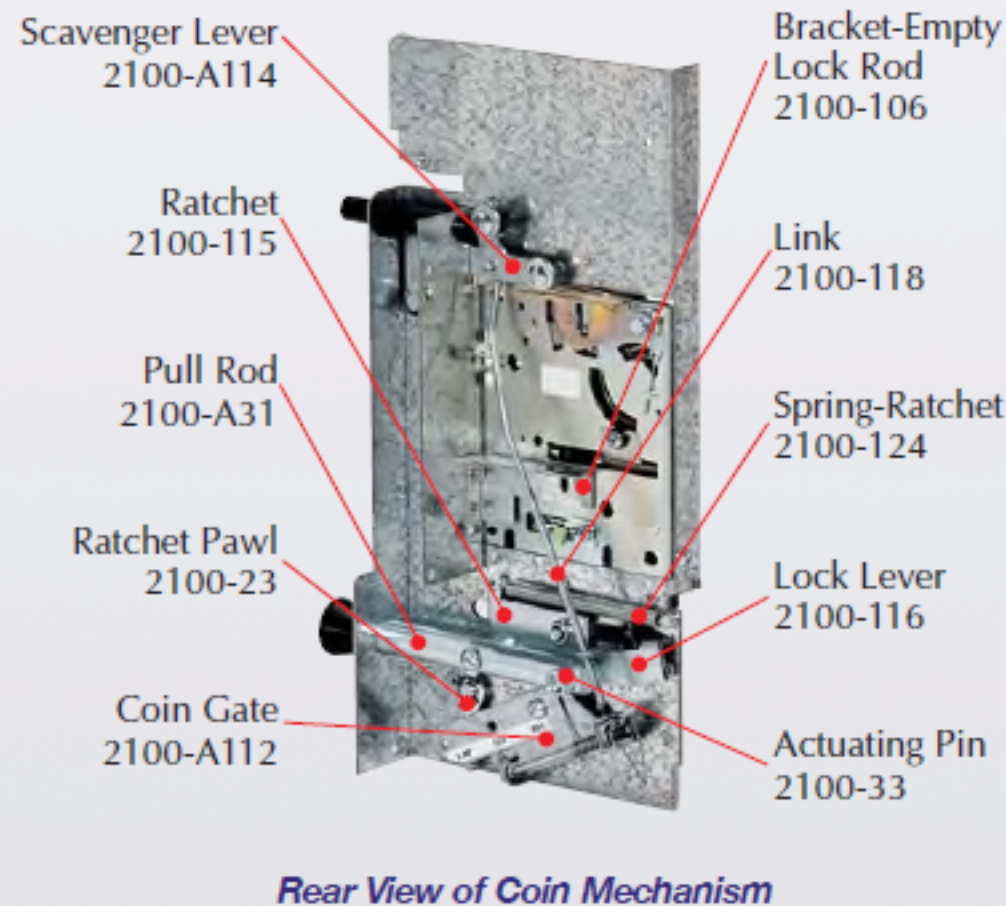
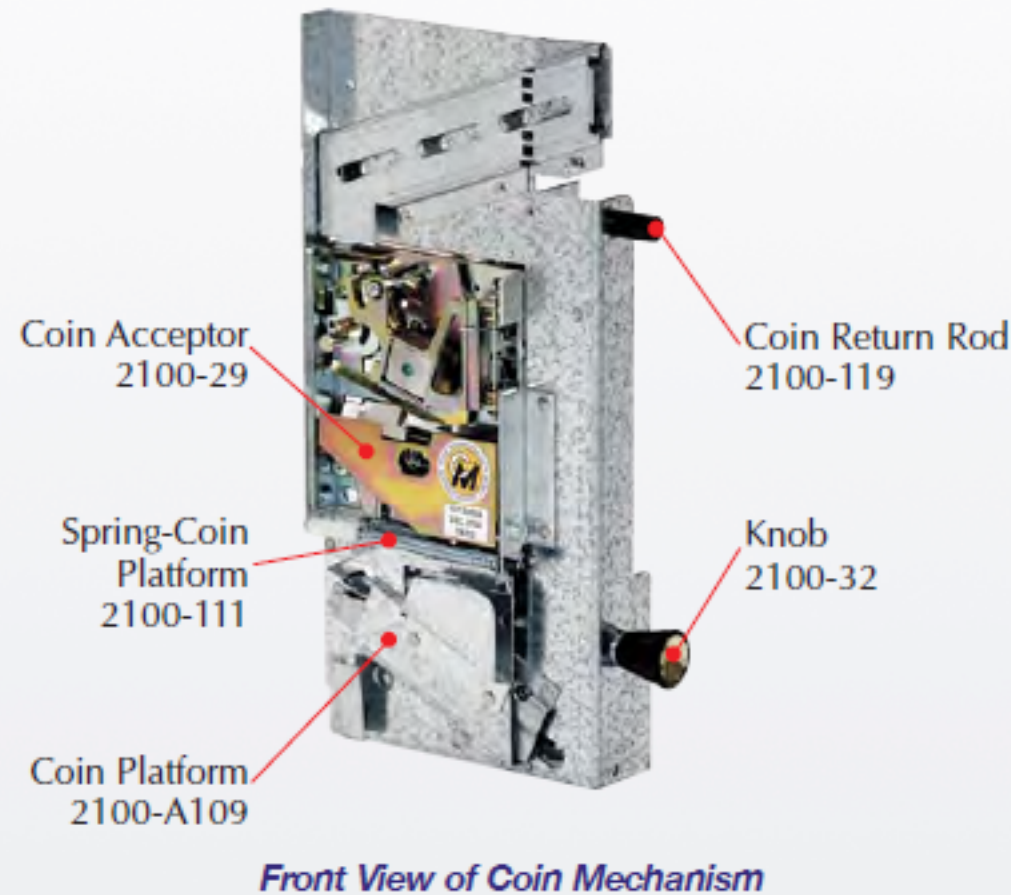
The shelves can be easily and quickly reset into the vend position (horizontal) by running the index finger of your right hand up the right side of the shelves. This "fanning" will take only seconds to reset all 24 shelves.

The top shelf has an automatic empty device that will cause the coin mechanism to reject all coins when the vender is empty. Therefore, it is extremely important to load from the top shelf down if the vender will not be fully loaded during restocking.

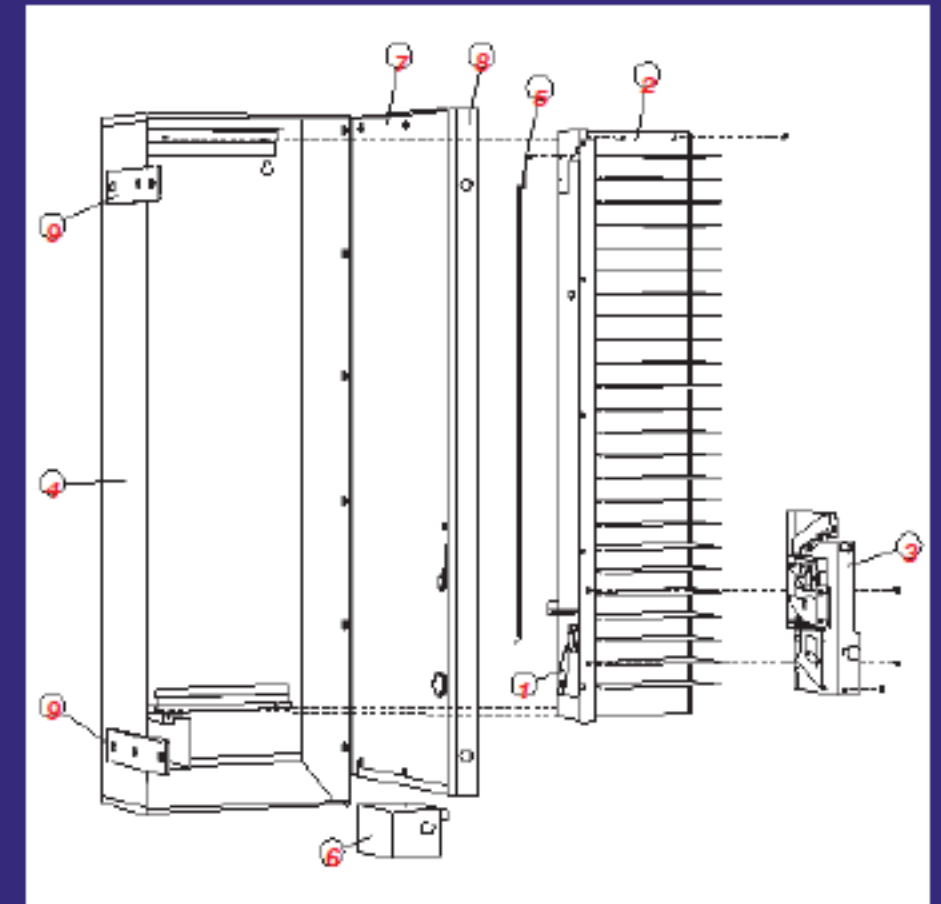
Coin Mechanism Features

The standard coin mechanism in the vender accepts U.S. quarters and will be factory set to vend at 50¢, unless otherwise requested. Instructions for changing the price setting are given under the heading "Coin Mechanism Instructions". Whenever the vend price is set for 50¢, 75¢ or \$1.00, a customer can retrieve his quarters prior to vending by pushing the Coin Return Button. There is no coin return function when the vender is set at 25¢; pushing the Coin Return Button will, however, clear all bent or steel slugs out of the Coin Acceptor.

Model 2100 Coin Mechanism Part #2100-D101



Model 2100 Exploded View



Number	Part #	Description
1	2100-12	Actuating Arm
2	2100-D1	Magazine Assembly
3	2100-D101	Coin Mechanism
4	2100-A45	Cabinet
5	2100-127	Empty Lock Rod
6	300-A69	Coin Box w/Lock
7	2100-B125	Door w/Hinge
8	2100-63	Security Frame
9	2100-64	Side Bar

Model 2100-D Diaper Vender

Part #	Description
2100-55D-U	Door Lock - Upper - Key #2101
2100-55D-L	Door Lock - Lower - Key #2101
2100-59D-U	Door Lock - Upper - Key #2345
2100-59D-L	Door Lock - Lower - Key #2345
2100-137	Key - Coin Box - Key #ES203
2100-137D	Key - Diaper Vender Door - Key #2101
2100-139D	Key - Diaper Vender Door - Key #2345