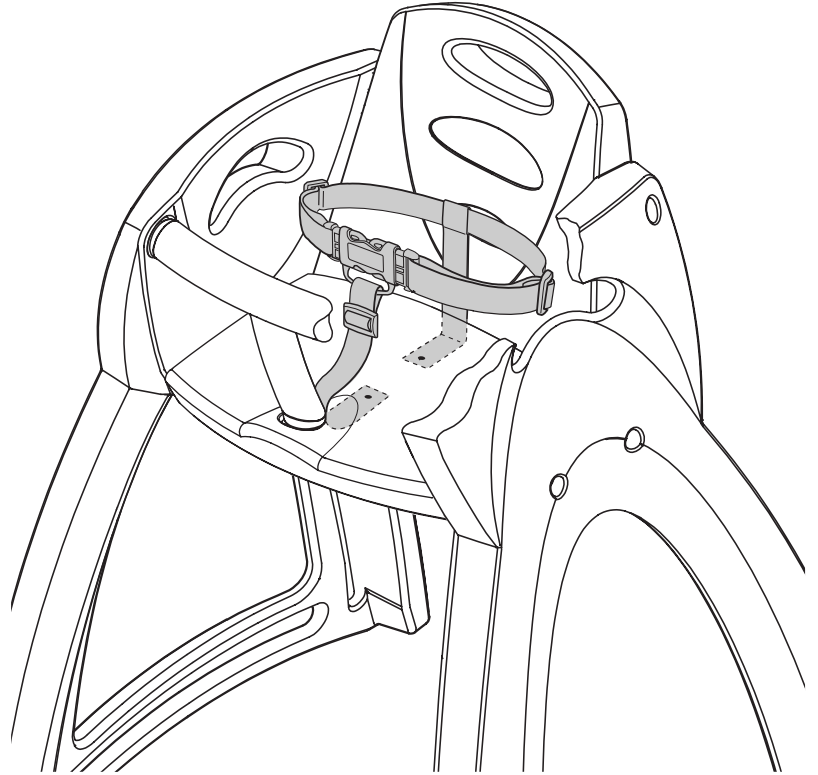
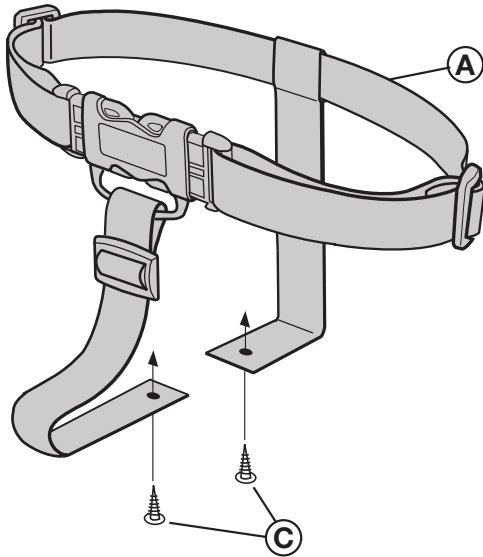


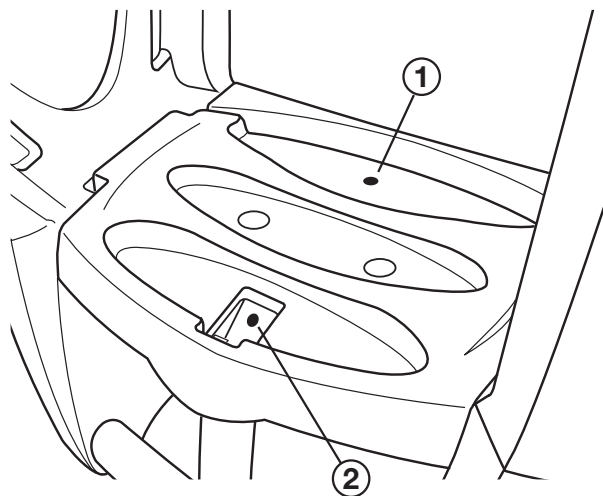
# Breeze High Chair Safety Strap Fitting Instructions



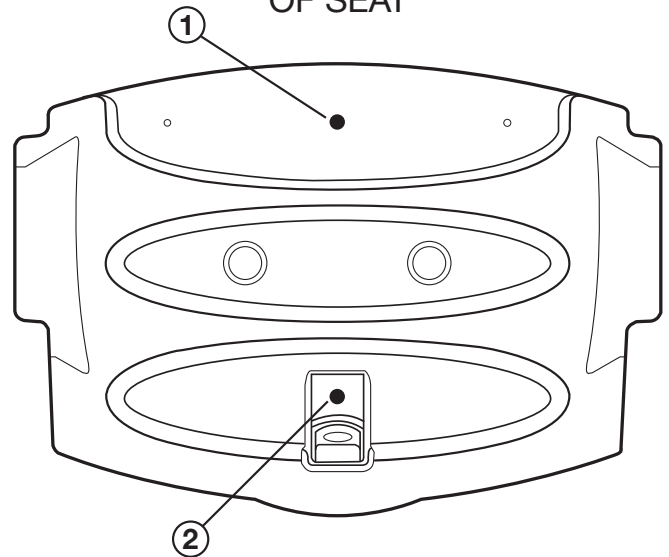
LIST OF COMPONENTS	Qty
A Safety Strap	x1
B Fixing Screws	x2

①

Invert chair, remove old Strap, & note fixing points (1) & (2) on base of Seat as (shown right).  
**Note: Do not disassemble chair.**

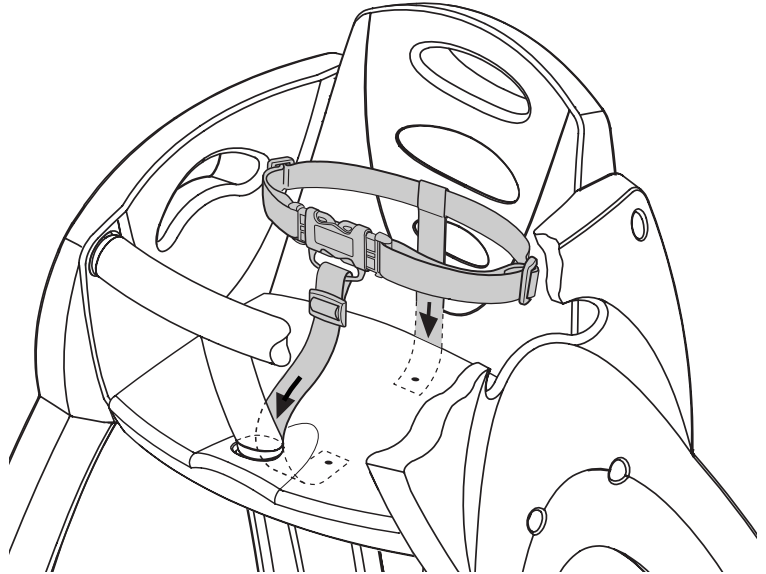


UNDERNEATH  
OF SEAT



②

Place the Safety Strap over Seat, push rear fixing point of strap down between rear of Seat & Back Support then push front fixing point down the gap between rear of Safety 'T' Bar & Seat.



③

Invert chair then Insert Fixing Screws through strap into fixing holes and tighten securely - your Safety Strap is fixed and ready to use.

