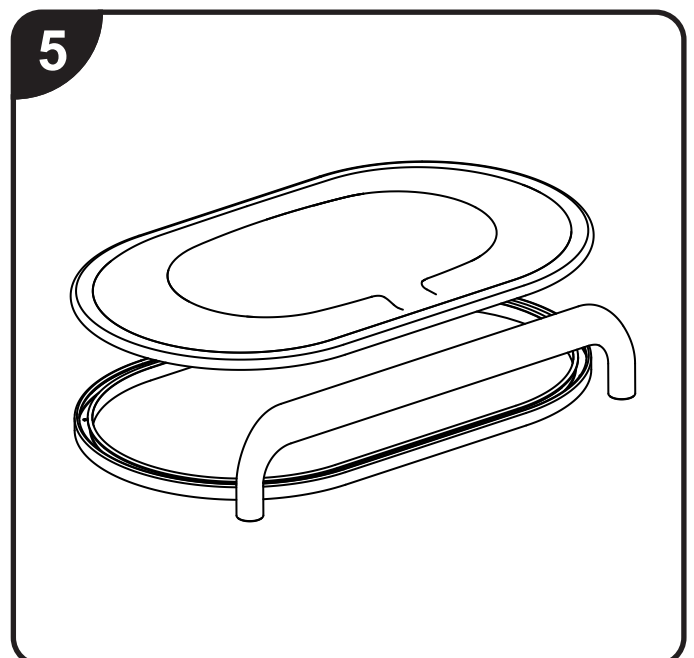
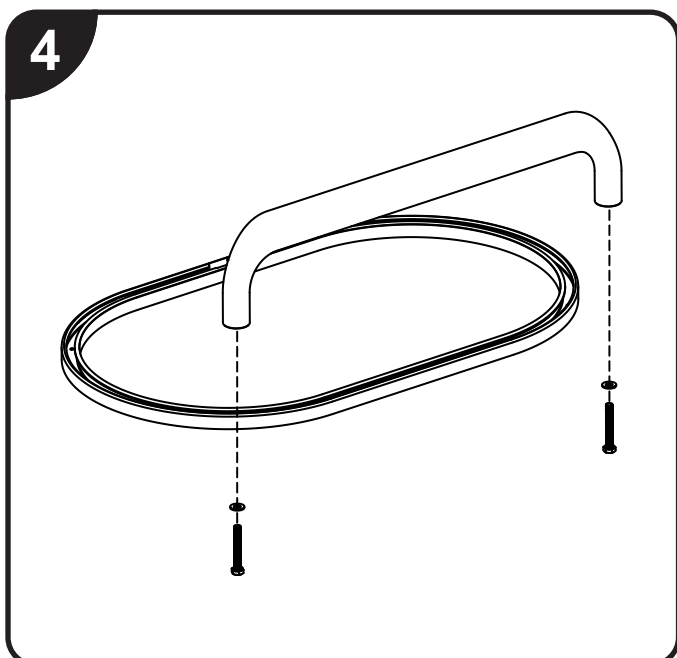
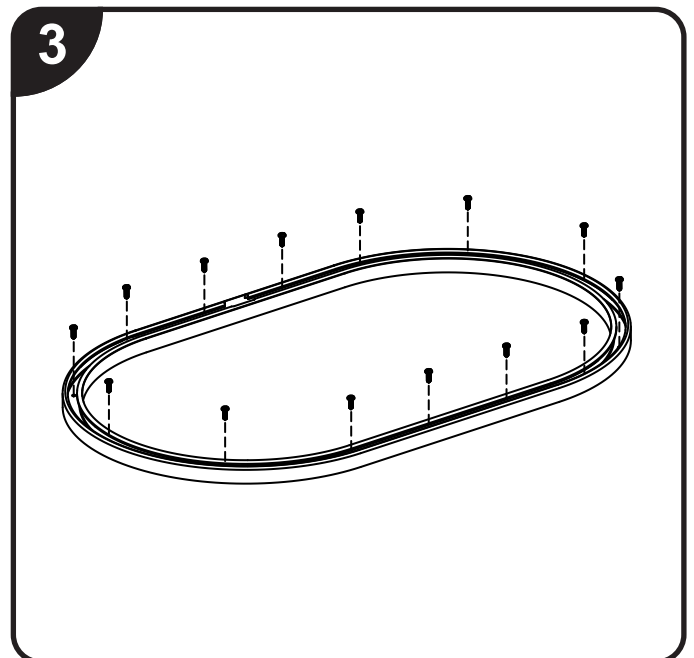
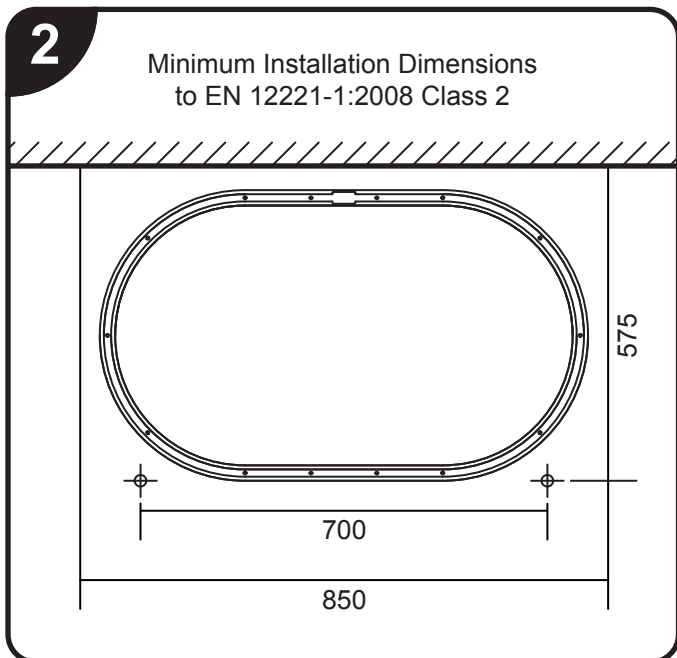


Model Ref:  
**SM/1**

EN 12221-1:2008



# IMPORTANT

**“RETAIN FOR FUTURE REFERENCE. READ CAREFULLY”**

## **WARNING:**

**Do not leave the child unattended.**

**This product is intended for use by children up to 25kg. and must not be used in the vicinity of a strong heat source or when any part is broken, torn or missing.**

**Baby Point assembly instructions for the SM (Secure Mat) Bench mounted baby changing System**

## **Model Ref: SM/1**

- ✓ **Dia.1** After opening the packaging please check the contents as illustrated (Images not to scale).
- ✓ **Dia.2** Position the track on a suitable work surface avoiding obstacles (especially overhead) within the minimum working area as illustrated, **ENSURING THAT THE CARTRIDGE RELEASE FEATURE IS LOCATED AT THE REAR OF THE INSTALLATION.**
- ✓ **Dia.3** Mark and drill 14 off 3.5mm dia.holes and complete the track fixing with the screws provided.
- ✓ **Dia.4** If the (SR/1) safety rail is to be fitted, drill 2 off 10.5mm dia.holes at 700mm centres positioned as in Dia.2 ensuring that the underside can be accessed for the installation of the securing bolts and their subsequent routine inspection.
- ✓ **Dia.5** Finally fit the SM changing mat cartridge (SM/C) into the track (TR/1) by inserting the outer PVC extrusion of the cartridge into the track starting at the centre rear (release feature).

**PLEASE NOTE: When inserting the changing mat cartridge into the track, we recommend a lubricant; (preferably liquid soap) on the PVC extrusion should be used.**

## **Cleaning and Maintenance**

The surface material of the changing mat cartridge is a nursery grade Vinyl the cleaning and sterilising of which should be achieved with the use of: **WATER BASED** products whenever possible to prolong the life of the cartridge, and **under NO CIRCUMSTANCES CAN BLEACH BE USED** to clean or sterilise the product.