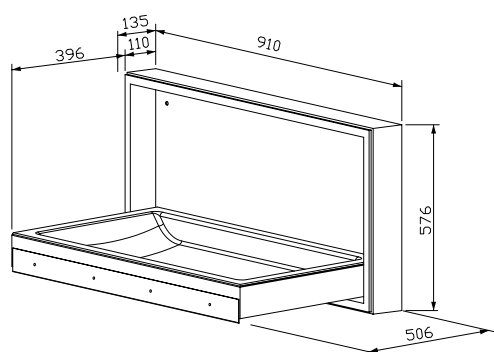


## Nappy changer in stainless steel



- Full metal housing in robust, easy-to-clean stainless steel AISI 304, satin finished. Handle strip with glossy surface IIID, all corners fully welded.
- Fold down table easy to open and close with assistance from a maintenance free, pneumatic cylinder.
- Table surface made of grey Polypropylene, molded, without any visible fixtures, changeable.
- Supporting weight up to 15 kg.
- TÜV proved and certified.
- Easy to clean due to optimum accessibility.
- Simple mounting: line up with tiles and fasten with 4 screws.
- Also available on request with other surfaces.

### Suggested text for specifications:

**Nappy changer in stainless steel AISI 304 for surface mounting, satin finished and glossy surface IIID. Table surface to foldout, molded made of Polypropylene. Supporting weight up to 15 kg. TÜV certified.**

**Dimensions 910 x 576 x 135 mm; includes mounting components.**

**Article No. WP 2015**

